

ANL/AiW-4120MG

122 GHz 智能型雷达液位变送器

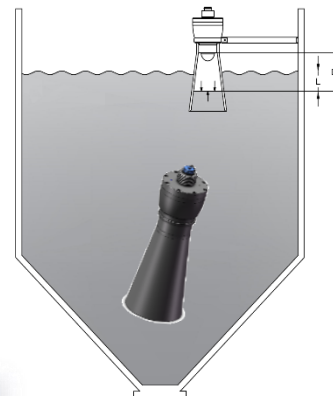
特点

- 智能型功能，让应用更轻松快捷
- 通过蓝牙无线技术进行通信
- 具备高级诊断和智能验证
- 符合 NAMUR 型式 NE43/NE107 标准和 IP68 / CE / Exia
- 多功能 FMCW 雷达，具备测量防溢出功能
- 160x80 点阵 RGB 三色液晶显示屏
- mA / RS485 / SDI-12 / IO-LINK / Lora / APL / 4G 可选的通讯方式



应用范围

- ANL/AiW-4120MG 采用调频连续波（FMCW）技术和智能算法，即使在小型储罐和具有挑战性的快速灌装容器中，也能最大限度地提高测量精度和可靠性。
- 非接触式雷达技术是广泛应用的理想选择，因为它免维护，具有自上而下的安装，可降低泄漏风险，并且不受密度、粘度、温度、压力等工艺条件的影响，ANL/AiW-4120 适用于简单工艺条件下的液体和散装固体。
- 适合应用于液体罐的非接触式液位测量即使在较高压和极端低温下的小型罐体。也适用于溶剂类和腐蚀性的液体测量，包括具有严格卫生要求的应用。
- ANL/AiW-4120MG 还可以测量从轻到重的散装固体，即使在存在灰尘和噪音的情况下，也不会受到堆积或冷凝的影响，具有绝对的可靠性。
- ANL/AiW-4120MG 可带防溢罩，这对于防止泄漏的具有高度腐蚀性、毒性或其他危险的介质测量应用特别重要。



产品形态



Specifications

Product No	AiW/ANL-4120MG-R	AiW/ANL-4120MG-K	AiW/ANL-4120MG-A	AiW/ANL-4120MG-H
安装方式	Threaded with Overfill proof(option)			
外观图片				
Parameter	<p>122 至 123GHz 动态 FM 扫描带宽 1GHz (122GHz~123GHz : 1GHz) 或 120 至 123GHz 动态 FM 扫描带宽 3GHz (120GHz~123GHz : 3GHz) /选项 (调节FM范围可根据客户所在地区的SM要求定制)</p>			
测量频率				
测量范围	(10/18/30m)		(10/18/40m)	
盲区	<200mm(10m/18m range)		<300mm	
测量原理	FMCW Radar System			
测量分辨率	0.05m (Physical Resolution C/2B = 0.05m)			
测量精度	±1mm(<10m range)/±2mm(18m range)/±4mm(30m range)			
温漂系数	±1ppm/°C			
天线材质	Polyoxymethylene (POM) / (PTFE Customized Option) (The antenna is integrated with the housing)			
波束角 (α)	POM: 6°/ Gain 29dB; PTFE: <6°/ Gain 31dB			
信号输出	RS-485	IO-Link	4-20mA	mA/HART 7
电源供电	9-38 V DC		16-40 V DC	
过程连接	G1-1/2 or 1-1/2 NPT(Customized Option)			
过程温度	-40 ... +100 °C			
产品腔体温度	-40 ... +85 °C			
过程压力	POM: -100 to +500 Kpa PTFE: -100 to +300 Kpa			
显示/调整	Chinasimba Software: PCManager V1.x, MobileManager V1.x (v1.0.6(IOS) / v1.0.12(Android))			
无线通信	Bluetooth			
蓝牙标准	Bluetooth 4.0			
蓝牙通讯范围	20m			
输出和协议	ModBus / SDI-12(Customized Option)	Lora/APL/4G 可选定制	4-20mA	HART7 (Downward Compatible)
故障输出	**		22mA/4mA/20.5mA (option)	
现场显示方式	With Display(160X80 LCD/4 Keys button) / Mobile / iPad / PC			
外壳材质	POM material (PTFE Customized Option)			
电缆入口	1 PVC Insulated cable (Aviation connectors)			
防爆等级	***		Exia	
防护等级 / CE	IP67 / IP68 / CE			
包装尺寸	267mm x 97mm x 97mm			
优点	<p>免维护, 经久耐用。 测量不受积聚或冷凝的影响。 以绝对可靠的方式测量最轻到最重的散装固体。 适用于溶剂和腐蚀性液体。 用户友好的调整 (通过蓝牙) 节省了安装时间。</p>			
应用	液体、固体, 适用于简单工艺条件下的液体和散装固体			

SERVICE CONTACT: 86-13799977915, 86-18965063391(TECHNICAL SUPPORT), 86-18106067295(AFTER SALE SERVICE)
 ALTHOUGH WE HAVE RECONCILED THE CONTENTS OF THE MANUAL WITH DESCRIPTION OF INSTRUMENT, THERE MAY STILL BE CHANGES WE CANNOT ENSURE THAT IT IS FULLY CONSISTENT. THE CONTENT WILL BE CHECKED AND CORRECTED IN AN ORDERLY, AND THE ERRATA WILL BE IN SUBSEQUENT RELEASES. WE WELCOME USERS TO MAKE VARIOUS SUGGESTIONS FOR IMPROVEMENT. [TECHNICAL DATA SUBJECT TO CHANGE]

MKT-23Y02-0218

ANL-4120MG Products Dimensions in millimeters

REV	DESCRIPTION	DATE	DWN	APVD
A	1st edition release.	2023-03-03	Robin	Phoenix

航空插座

上盖

Ø80

160.5

61.2

46.4

21.4

Ø36

Ø62

Ø66

160.5

133

118

G1-1/2


Ø50

<p>香港昂立電子研究機構有限公司 HONG KONG ANLYSUN ELECTRONIC R&D CO., LTD. TEL: (86)591-83850480 FAX: (86)591-83850481 EMAIL: master@anlysun.com www.anlysun.com</p>		<p>THIS DRAWING AND THE COPYRIGHT INTENT ARE THE SOLE PROPERTY OF ANLYSUN ELECTRONIC R&D CO., LTD. ALL RIGHTS RESERVED. ANY REPRODUCTION OR DISTRIBUTION OF THIS DRAWING WITHOUT THE WRITTEN PERMISSION OF ANLYSUN ELECTRONIC R&D CO., LIMITED, IS STRICTLY PROHIBITED. THIS DRAWING IS ALSO PROTECTED BY CHINA INTELLECTUAL PROPERTY RIGHTS.</p>	
TITLE			
ANL-4120MG 安装规格图			
PROJECT/PRODUCT	ANL-6279	PART NAME	TBD
REF SCH	N/A	PART NO.	6279-318-000
REF PCB	N/A	DRG NO.	6279-318-000
FILE	6279-318-000RA	MATERIAL	铝基POM
		QTY	1
		DIMENSIONS	mm
		SCALE	1:1
		SHEET	1 OF 1
		SIZE	A3
		REV	A

Doc Ver 3.0


ANL/Aiw-4120MG Ordering Codes

Ordering Codes ANL-4120MG Liquid version 订货编码

AIW-4120MG	1	2	3	4	5	6	NOTE
	R						RS485 WITH MODBUS
	D						BDI-12 CUSTOMIZED
	K						IO-LINK
	A						4-20MA ONLY
	H						4-20MA / HART7
		G					UNDER THREADED CONNECTION G1-1/2
		N					UNDER THREADED CONNECTION 1-1/2 NPT
			R				UPPER REED CONNECTION Ø34MMX2
			T				UPPER THREADED CONNECTION G1
				10M			RANGE 10M
				18M			RANGE 18M
				30M			RANGE 30M
				40M			RANGE 40M FOR HART VERSION ONLY
					B		HOUSING MATERIAL POM
					P		HOUSING MATERIAL PTFE
					F	WITH OVERFILL FUNCTION	

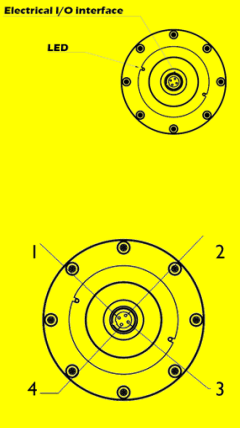
Sample : AIW-4120MG-A-G-R-10M-S LIQUID VERSION, 4-20MA, G1-1/2, UP REED, RANGE 10M, POM HOUSING

Ordering Codes ANL-4120MG Solid version 订货编码

ANL-4120MG	1	2	3	4	5	6	NOTE
	R						RS485 WITH MODBUS
	D						BDI-12 CUSTOMIZED
	K						IO-LINK
	A						4-20MA ONLY
	H						4-20MA / HART7
		G					UNDER THREADED CONNECTION G1-1/2
		N					UNDER THREADED CONNECTION 1-1/2 NPT
			R				UPPER REED CONNECTION Ø34MMX2
			T				UPPER THREADED CONNECTION G1
				10M			RANGE 10M
				18M			RANGE 18M
				30M			RANGE 30M
				40M			RANGE 40M FOR HART VERSION ONLY
					B		HOUSING MATERIAL POM
					P		HOUSING MATERIAL PTFE
						NA	

Sample : ANL-4120MG-A-G-R-10M-S SOLID VERSION, 4-20MA, G1-1/2, UP REED, RANGE 10M, POM HOUSING

Wiring Connection 接线图

PORT		PIN	Color	Signal	
	mA only mA HART (2-Wire)	1	Red	V+	24V
		2	Blue	NA	
		3	Yellow	V-	0V
		4	Green	NA	
	mA HART (4-Wire)	1	Red	V+	24V
		2	Blue	mA+	+ Active 4-20 mA analog output
		3	Yellow	V-	0V
		4	Green	mA-	- Active 4-20 mA analog output
RS485	1	Red	V+	24V	
	2	Blue	485-A	RS485+ communication line	
	3	Yellow	0V	0V	
	4	Green	485-B	RS485- communication line	
IO-LINK	1	Red	V+	24V	
	2	Blue	OUT2	Digital output	
	3	Yellow	V-	0V	
	4	Green	OUT1/IO-LINK	Digital output or IO-Link mode	

For more information contact your regional sales representative.

sales@chinasimba.com

<https://www.chinasimba.com/>

CHINASIMBA
ANLYSUN

NOTE: For this Doc., Chinasimba Electronic Co., Ltd is continue to improve and upgrade its products and services, thus, the file information will be covered by changing, without prior notice, nor as promised Chinasimba Electronic Co., Ltd. In addition, the product user manual already includes safe use of warnings. Therefore, if there is any misuse or cause of any event, Chinasimba Electronics Co., Ltd will not take any responsibility.

Chinasimba Electronic Co., Ltd. hereby guarantees that its products are not defective in materials and workmanship and are in complete conformity with the above disclaimer.