

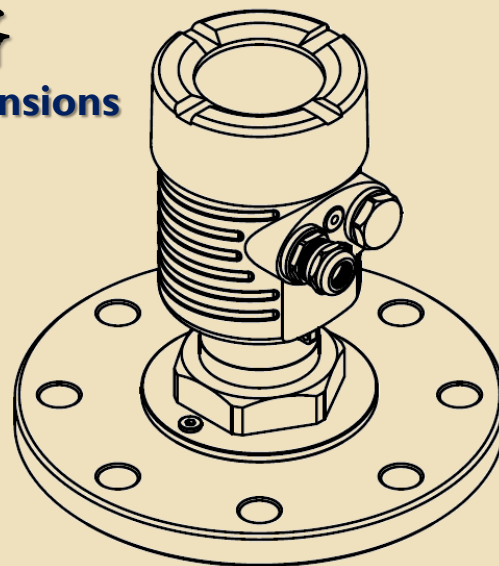


2019-2024

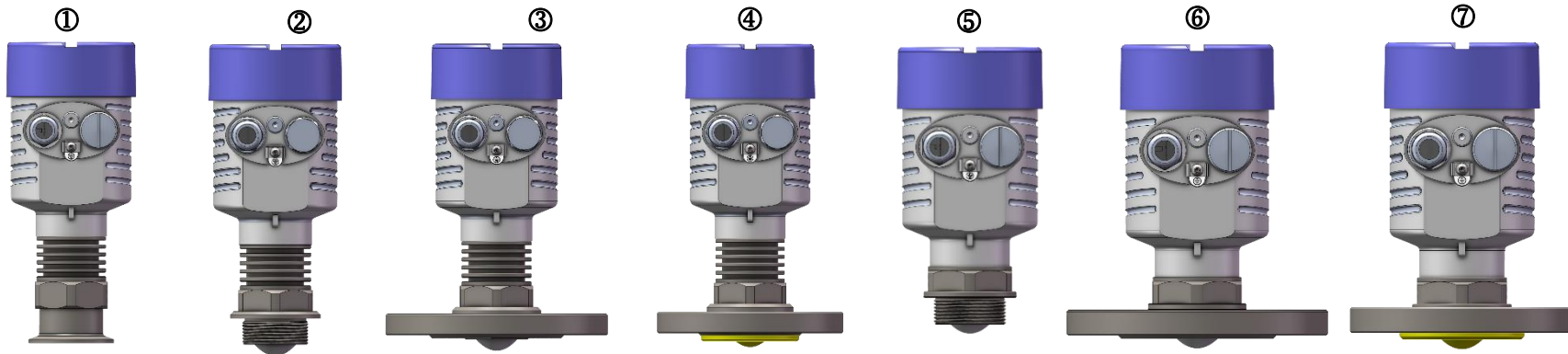
ANL-9080 产品外观尺寸规格

ANL-9080 Radar Level Transmitter Profile Dimensions

V2024.1
R

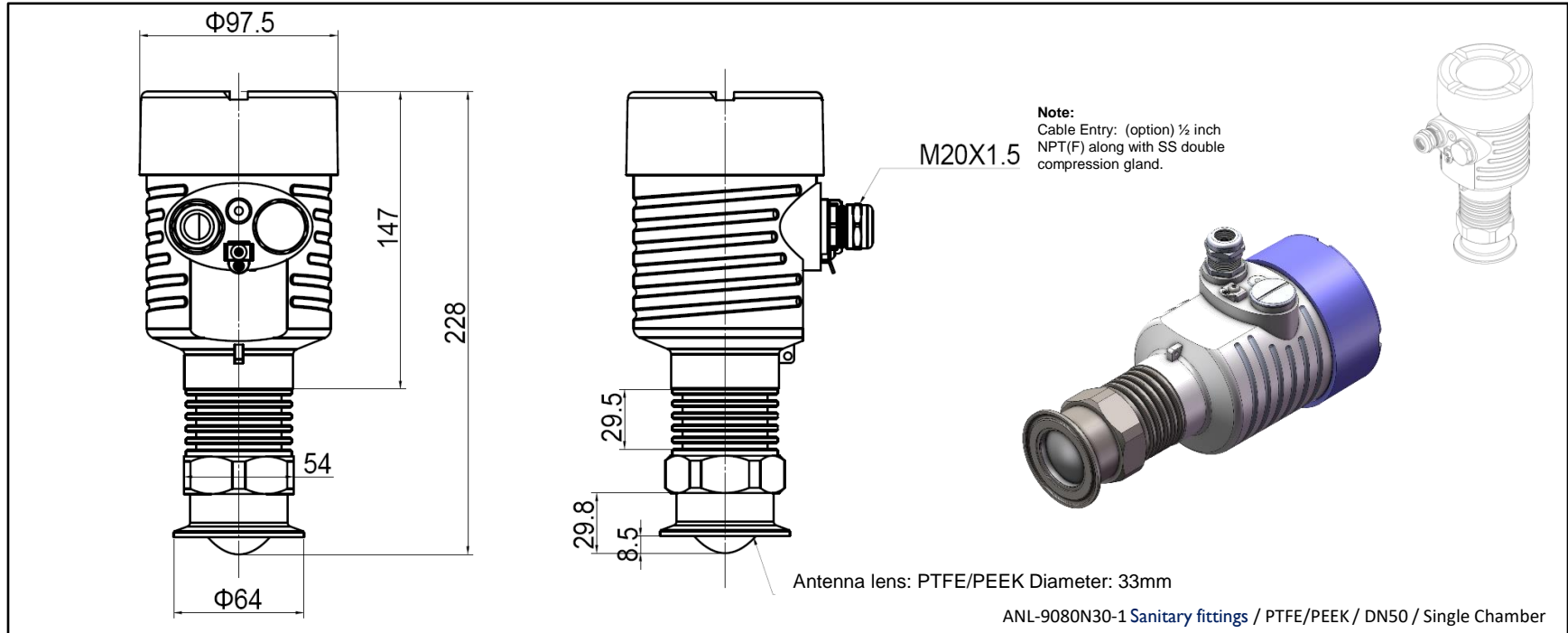


ANL-9080N30

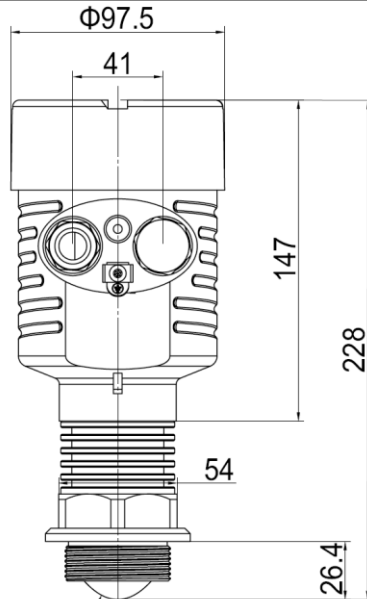


	名称 Name	安装方式 Connection Type	过程接触面材料 Materials of Conn.	介质透镜天线参数 lens antenna	过程温度 Process Temperature	法兰连接等级/压力 Rating / pressure	带冷却 Cooler	带吹扫 Purging	万向节 Aiming	防腐 Anti-corrosive
①	9080N30-1	Sanitary fittings DN 50	PTFE (default) Or PEEK	Beam angle 8° / 24dB	PEEK : -60 ~ 150°C PTFE : -40 ~ 150°C	PEEK : -1.0 ~ 5.0 MPa PTFE : -0.2 ~ 0.8 MPa	YES			
②	9080N30-2	G1-1/2	PTFE (default) Or PEEK	Beam angle 6° / 25dB	PEEK : -60 ~ 180°C PTFE : -40 ~ 180°C		YES			
③	9080N30-3	>= DN32	PTFE (default) Or PEEK	Beam angle 6° / 26dB	PEEK : -60 ~ 250°C PTFE : -40 ~ 250°C		YES			
④	9080N30-4	>= DN32	PTFE	Beam angle 7° / 26dB	PTFE : -40 ~ 250°C		YES			YES
⑤	9080N30-5	G1-1/2	PTFE (default) Or PEEK	Beam angle 8° / 25dB	PEEK : -60 ~ 120°C PTFE : -40 ~ 120°C					
⑥	9080N30-6	>= DN32	PTFE (default) Or PEEK	Beam angle 8° / 25dB	PEEK : -60 ~ 120°C PTFE : -40 ~ 120°C					
⑦	9080N30-7	>= DN32	PTFE	Beam angle 8° / 23dB	PTFE : -40 ~ 120°C					YES

ANL-9080N30-1 Sanitary fittings / DN50 / Single Chamber

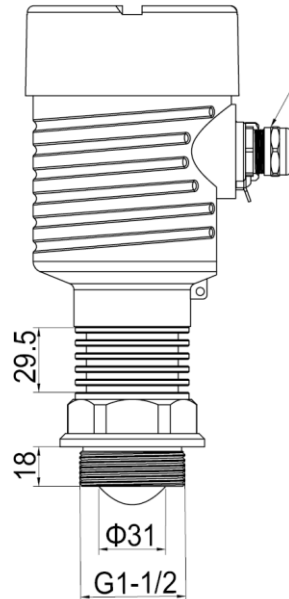


ANL-9080N30-2 Threaded / G1-½ / cooler / Single Chamber



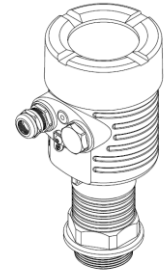
Antenna lens: PTFE/PEEK

PTFE Diameter: 31mm
PEEK Diameter: 26mm



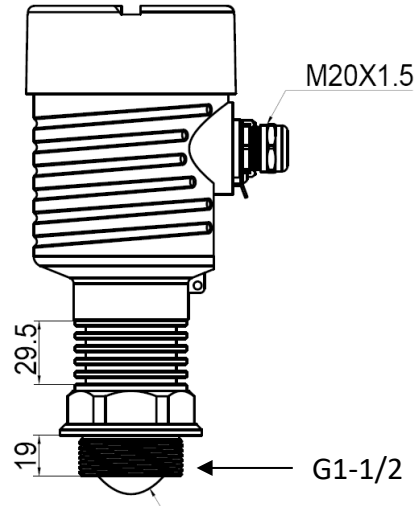
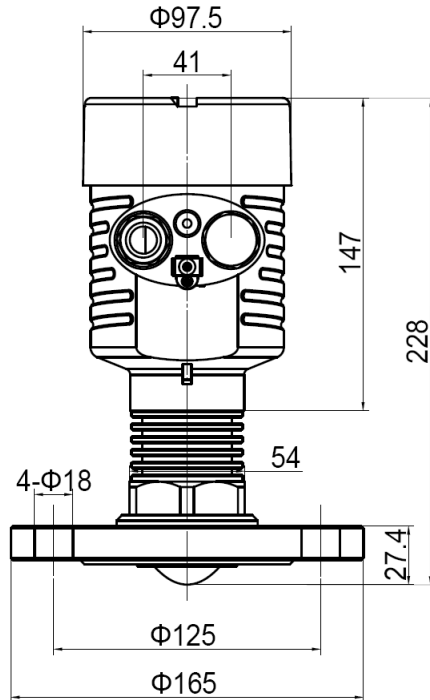
M20X1.5

Note:
Cable Entry: (option) ½ inch
NPT(F) along with SS double
compression gland.



ANL-9080N30-2 Threaded / G1-½ / PTFE/PEEK / cooler / Single Chamber

ANL-9080N30-3 DN50 / PTFE/PEEK / cooler / Single Chamber



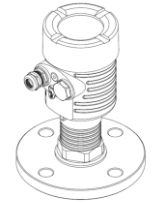
Antenna lens: PTFE/PEEK

PTFE Diameter: 31mm
PEEK Diameter: 26mm

Note:
Cable Entry: (option) 1/2 inch
NPT(F) along with SS double
compression gland.

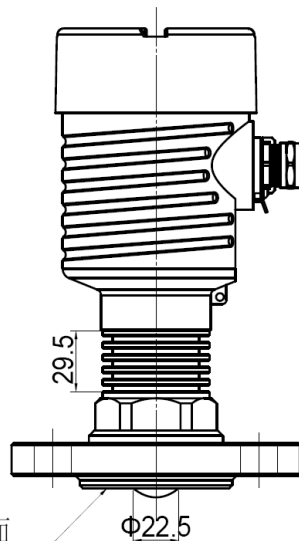
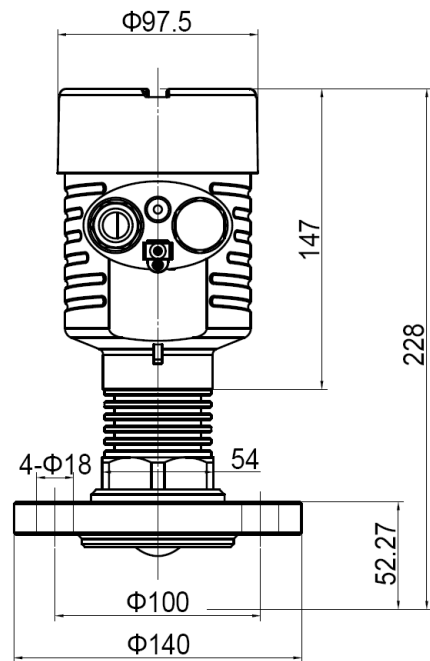


ANL-9080N30-3 DN50 / PTFE/PEEK / Cooler / Single Chamber



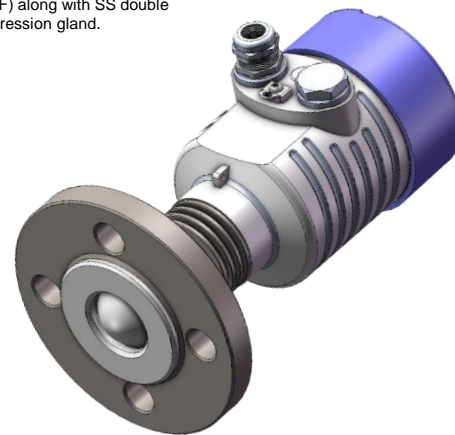
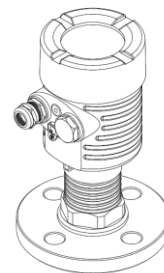
ANL-9080N30-4

Anti-corrosion / DN32 / PTFE / cooler / Single Chamber



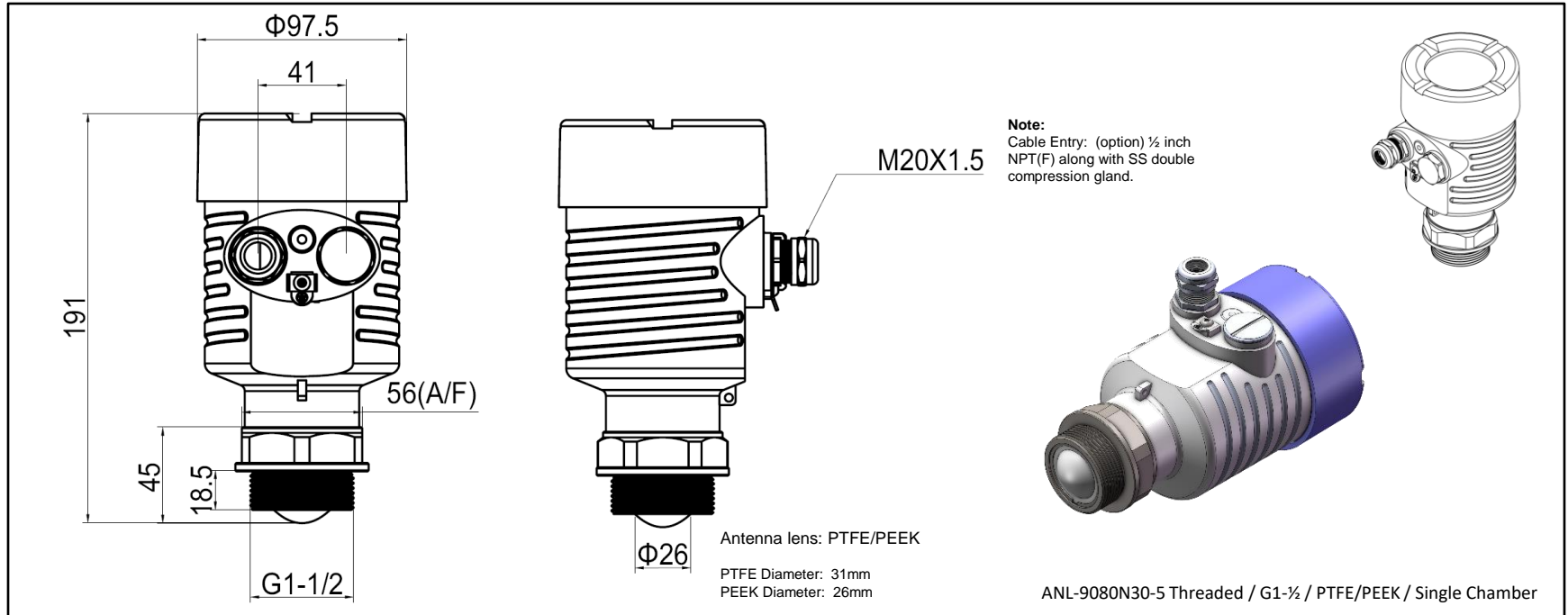
M20X1.5

Note:
Cable Entry: (option) 1/2 inch NPT(F) along with SS double compression gland.

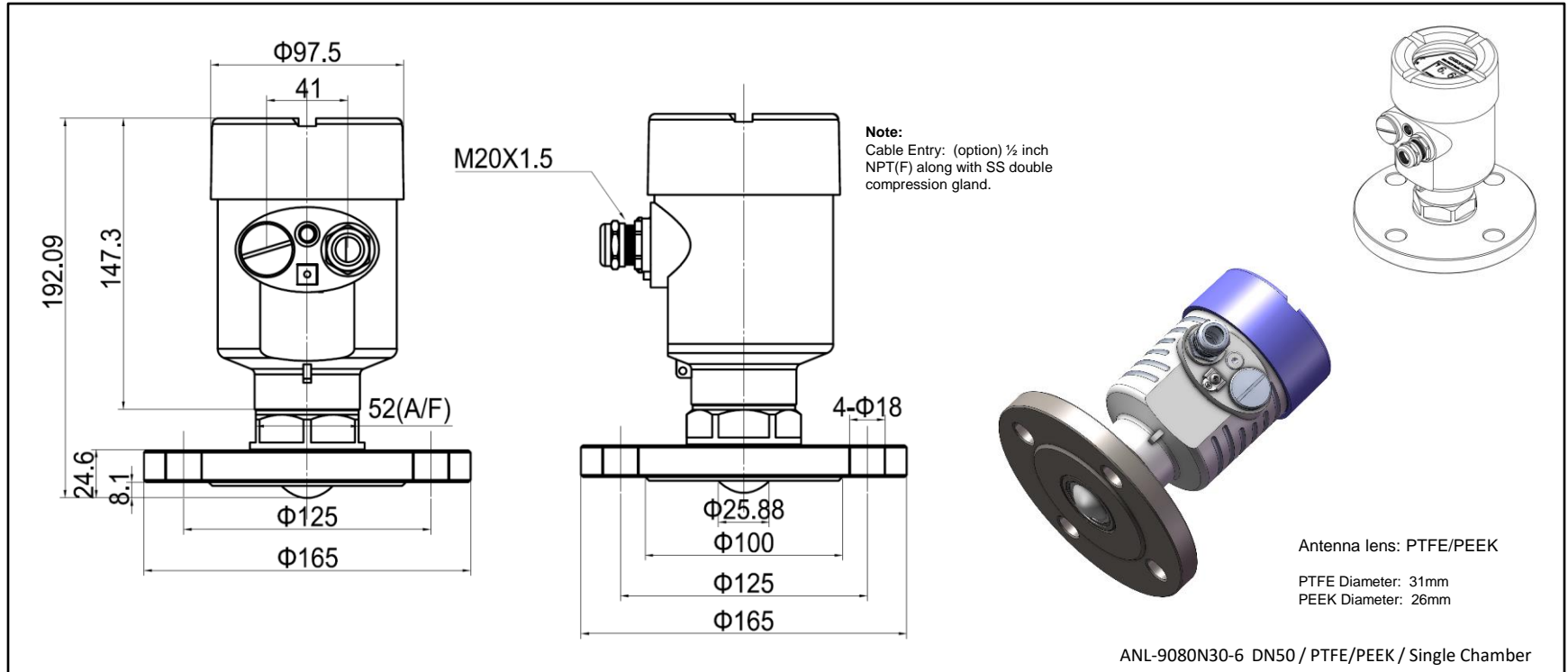


ANL-9080N30-4 Anti-corrosion / DN32 / PTFE / Cooler / Single Chamber

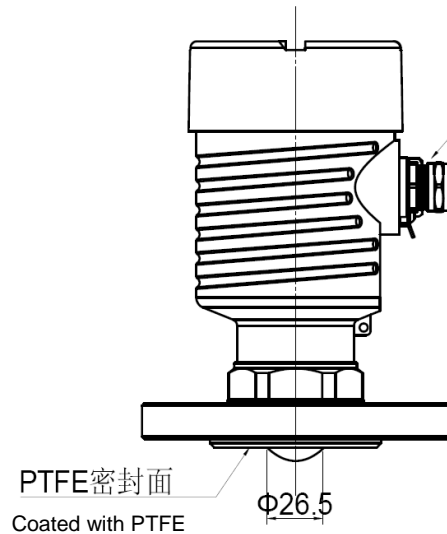
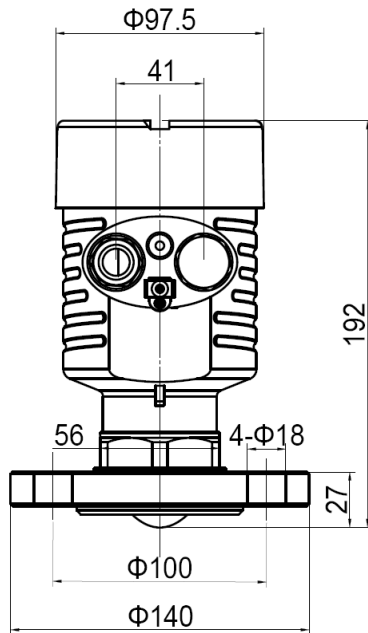
ANL-9080N30-5 Threaded / G1-½ / Single Chamber



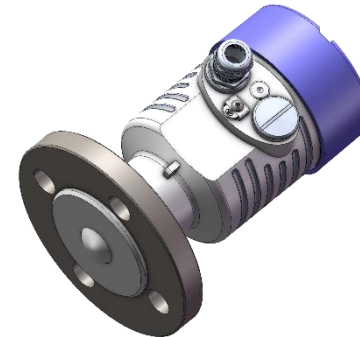
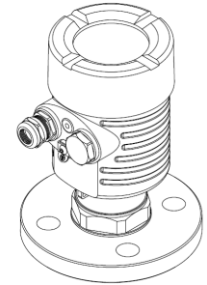
ANL-9080N30-6 DN50 / PTFE/PEEK / Single Chamber



ANL-9080N30-7 Anti-corrosion / DN32 / PTFE / Single Chamber

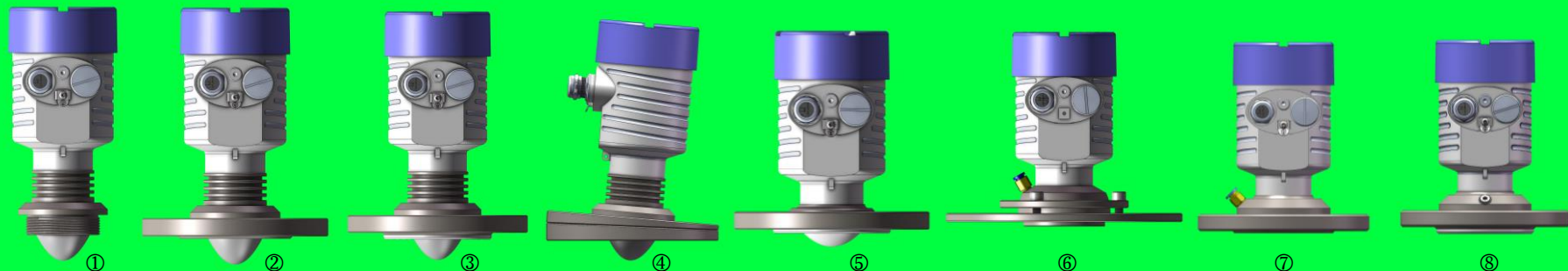


Note:
Cable Entry: (option) ½ inch
NPT(F) along with SS double
compression gland.



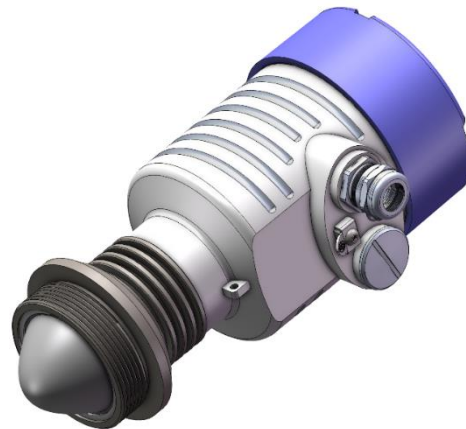
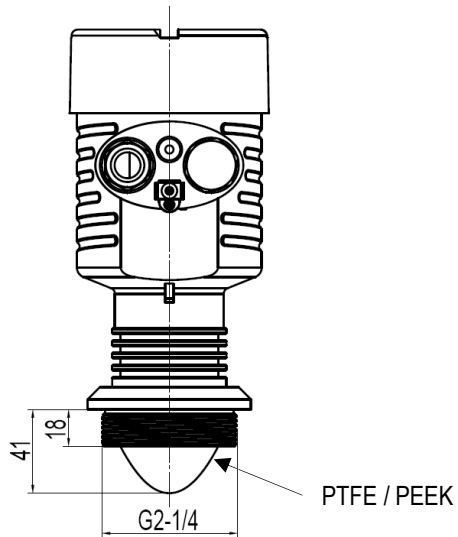
ANL-9080N30-7 Anti-corrosion / DN32 / PTFE / Single Chamber

ANL-9080N50



名称 Name	安装方式 Connection Type	过程接触面材料 Materials of Conn.	介质透镜天线参数 lens antenna parameters	过程温度 Process Temperature	法兰连接等级/压力 Rating / pressure	带冷却 Cooler	带吹扫 Purging	万向节 Aiming	防腐 Anticorrosive
① 9080N50-1	G2-1/4	SST/PTFE (default) Or PEEK	Beam angle 5° / Gain 29dB	PEEK lens: -60 ~ 150°C PTFE lens: -40 ~ 150°C	Non-flange connection	YES			
② 9080N50-2	>= DN50	SST/PTFE (default) Or PEEK	Beam angle 5° / Gain 29dB	PEEK lens: -60 ~ 200°C PTFE lens: -40 ~ 200°C	EN1092-1 PN16 PEEK: -1.0~3.0MPa PTFE: -0.8~0.8MPa	YES			
③ 9080N50-3	>= DN50	SST/PTFE (default) Or PEEK	Beam angle 5° / Gain 29dB	PEEK lens: -60 ~ 200°C PTFE lens: -40 ~ 200°C	EN1092-1 PN16 PTFE: -0.8~0.8MPa	YES			YES
④ 9080N50-4	>= DN50	SST/PTFE (default) Or PEEK	Beam angle 5° / Gain 29dB	PEEK lens: -60 ~ 200°C PTFE lens: -40 ~ 200°C	EN1092-1 PN16 PTFE: -0.8~0.8MPa	YES		YES	
⑤ 9080N50-5	>= DN50	SST/PTFE (default) Or PEEK	Beam angle 6° / Gain 27dB	PEEK lens: -60 ~ 180°C PTFE lens: -40 ~ 180°C	EN1092-1 PN16 PTFE: -0.8~0.8MPa				YES
⑥ 9080N50-6	>= DN80	SST/PTFE (default)	Beam angle 6° / Gain 26dB	PEEK lens: -60 ~ 180°C PTFE lens: -40 ~ 180°C			YES	YES	
⑦ 9080N50-7	>= DN50 (thread M80x2)	SST/PTFE (default) Or PEEK	Beam angle 6° / Gain 26dB	PEEK lens: -60 ~ 180°C PTFE lens: -40 ~ 180°C	EN1092-1 PN16		YES		
⑧ 9080N50-8	>= DN50	SST/PTFE (default) Or PEEK	Beam angle 6° / Gain 26dB	PEEK lens: -60 ~ 180°C PTFE lens: -40 ~ 180°C					YES

ANL-9080N50-1 Thread G2-1/4 / PTFE/PEEK / Single Chamber



Note :

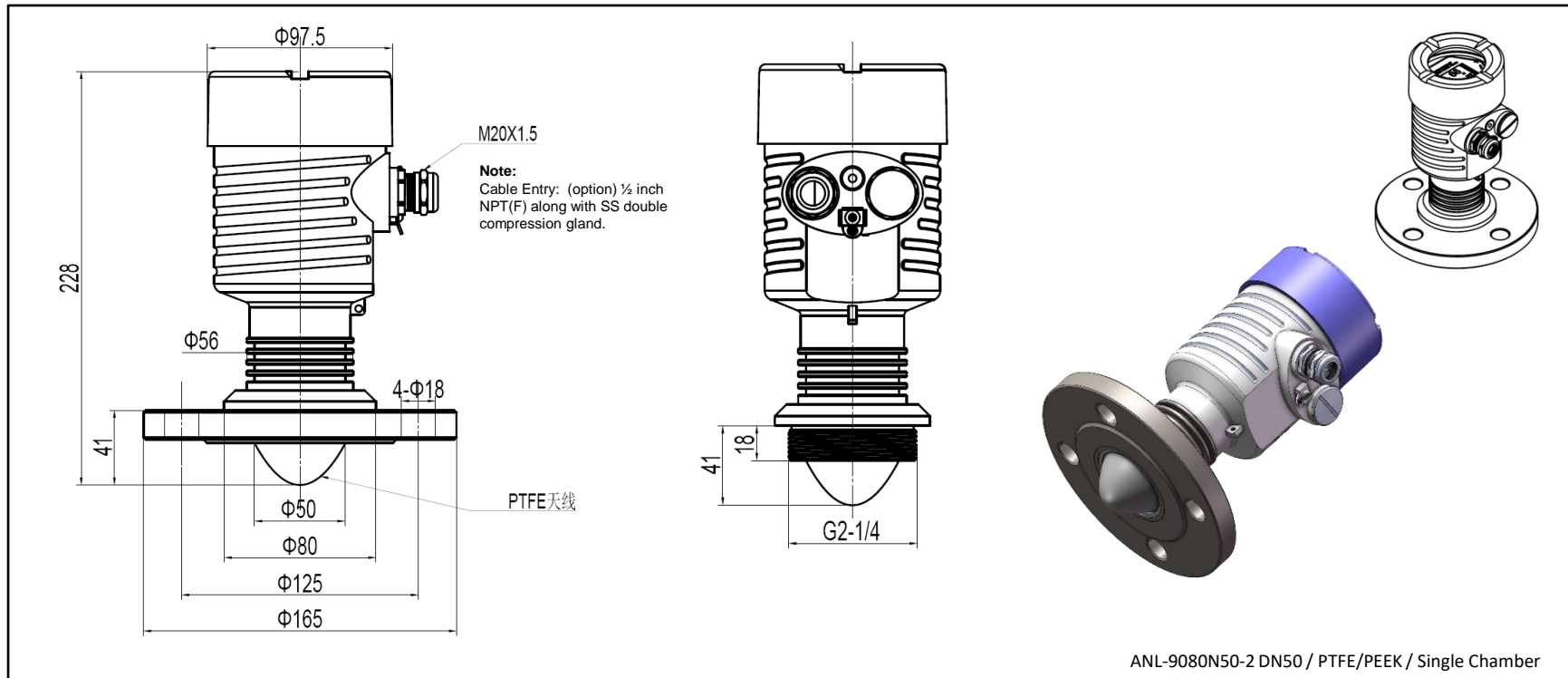
The lens antenna material is different, and the lens wheelbase is also different.

Lens Antenna PTFE : 41.0 mm

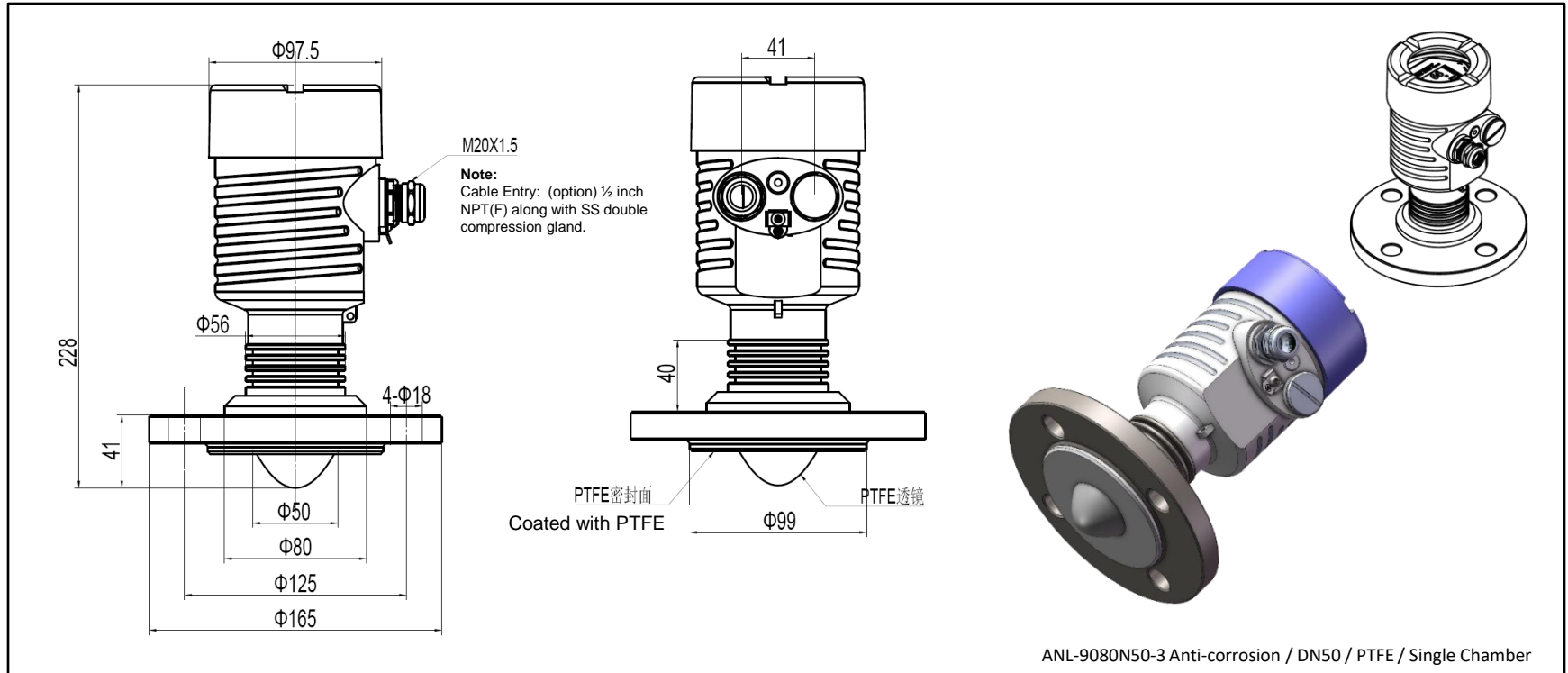
Lens Antenna PEEK : 35.0 mm

ANL-9080N50-1 Thread G2-1/4 / PTFE/PEEK / Single Chamber

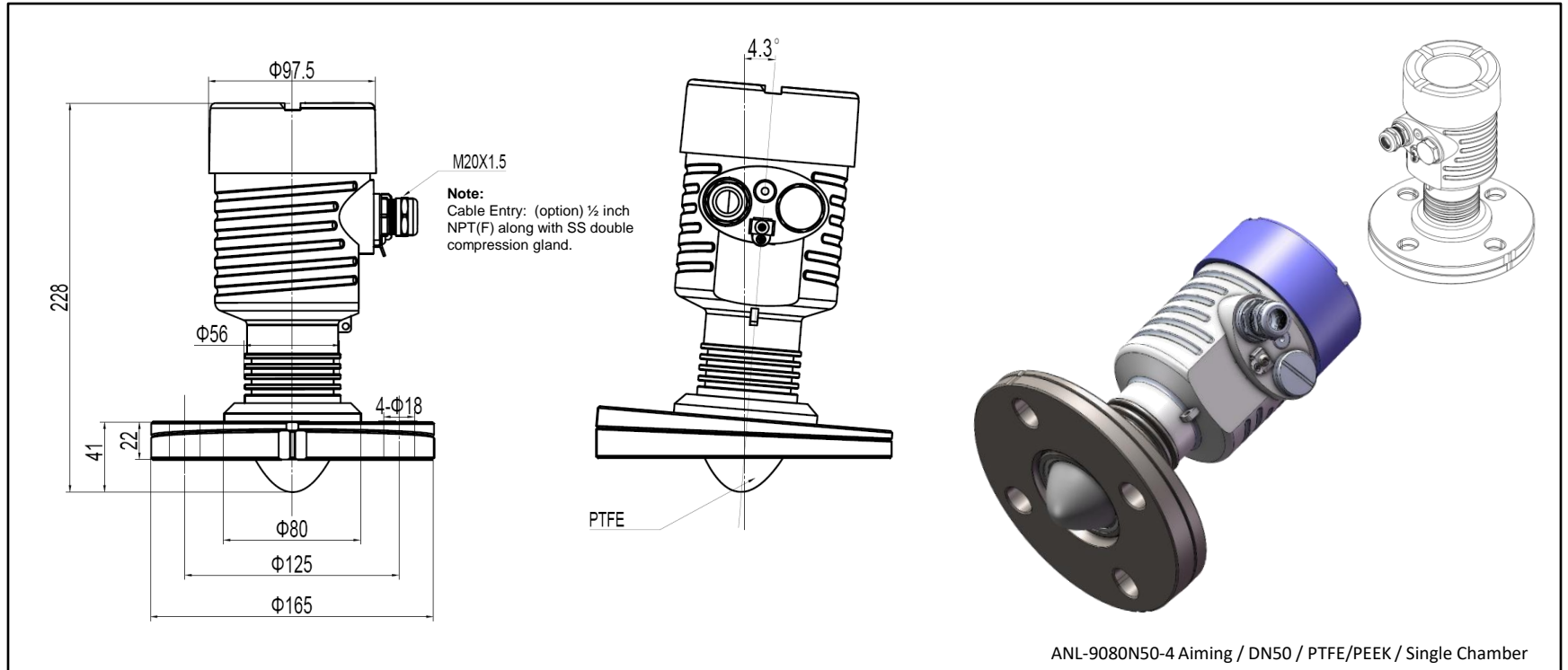
ANL-9080N50-2 DN50 / PTFE/PEEK / Single Chamber



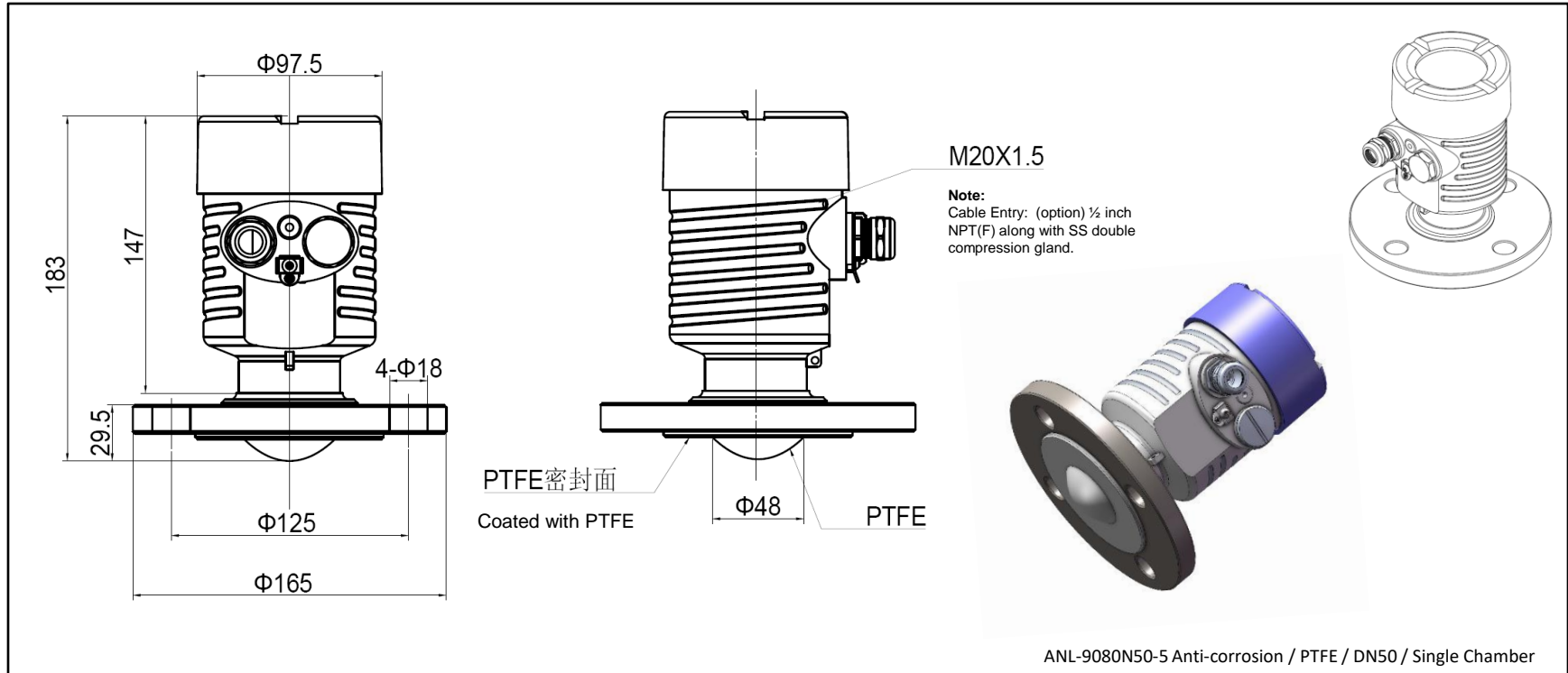
ANL-9080N50-3 Anti - corrosion / DN50 / PTFE / Single Chamber



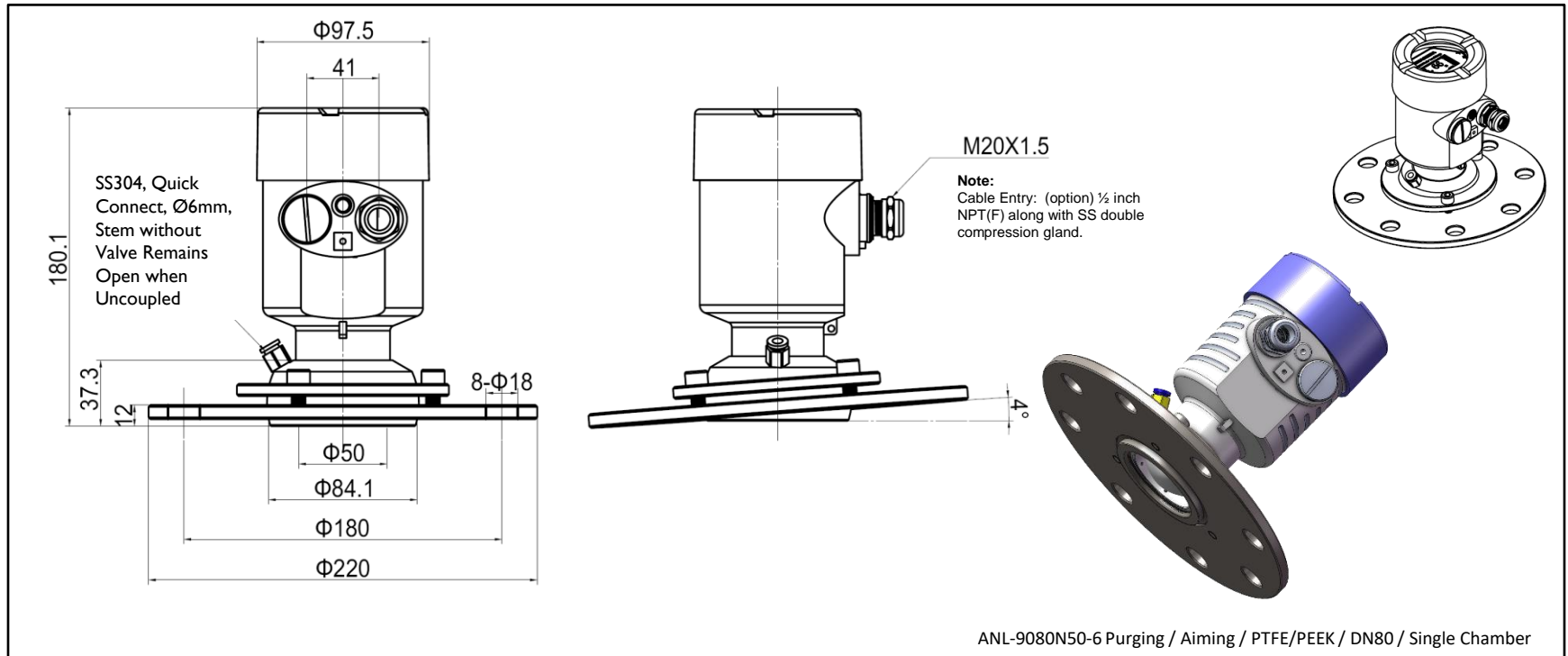
ANL-9080N50-4 Aiming / DN50 / PTFE/PEEK / Single Chamber



ANL-9080N50-5 Anti-corrosion / DN50 / PTFE / Single Chamber

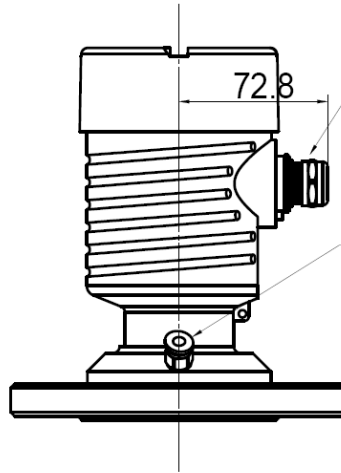
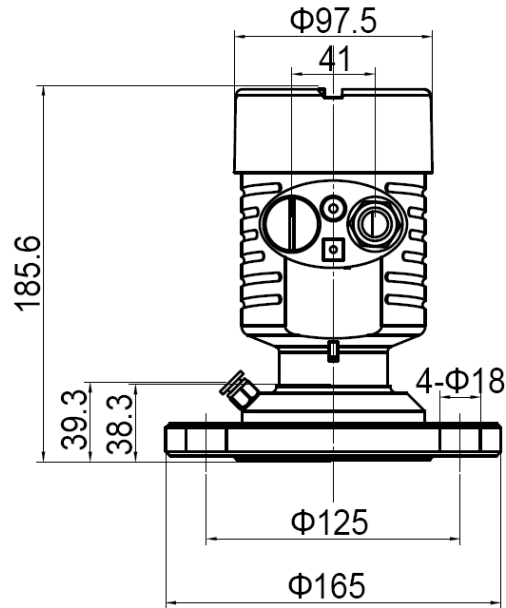


ANL-9080N50-6 Aiming / Purging / PTFE / DN80 / Single Chamber



ANL-9080N50-6 Purging / Aiming / PTFE/PEEK / DN80 / Single Chamber

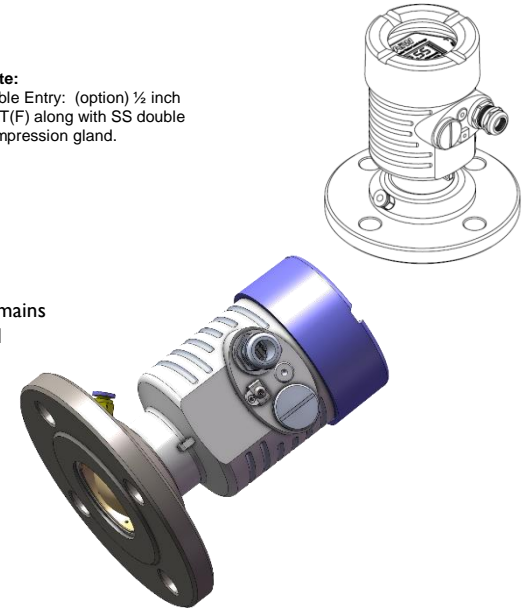
ANL-9080N50-7 Purging / DN50 / PTFE/PEEK / Single Chamber



M20X1.5

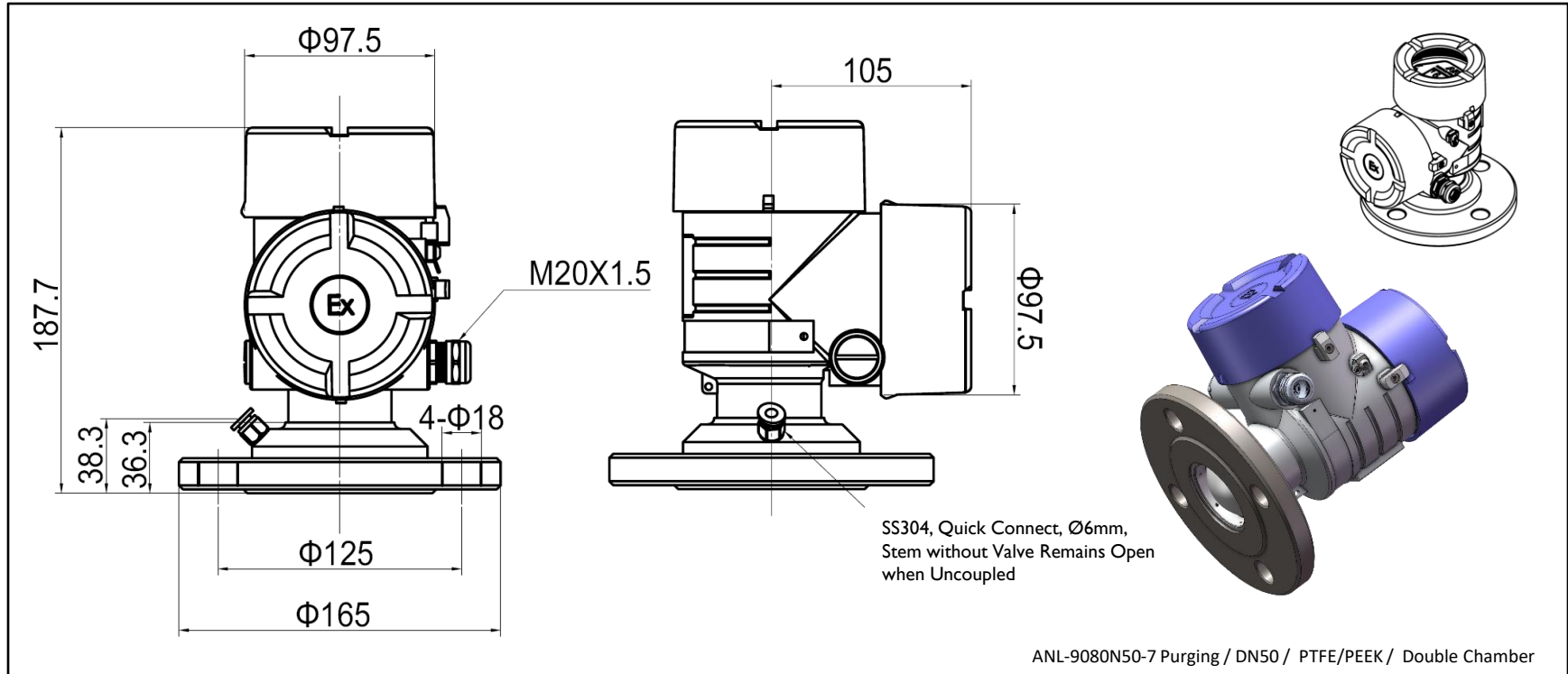
SS304, Quick Connect,
 $\Phi 6\text{mm}$,
Stem without Valve Remains
Open when Uncoupled

Note:
Cable Entry: (option) 1/2 inch
NPT(F) along with SS double
compression gland.

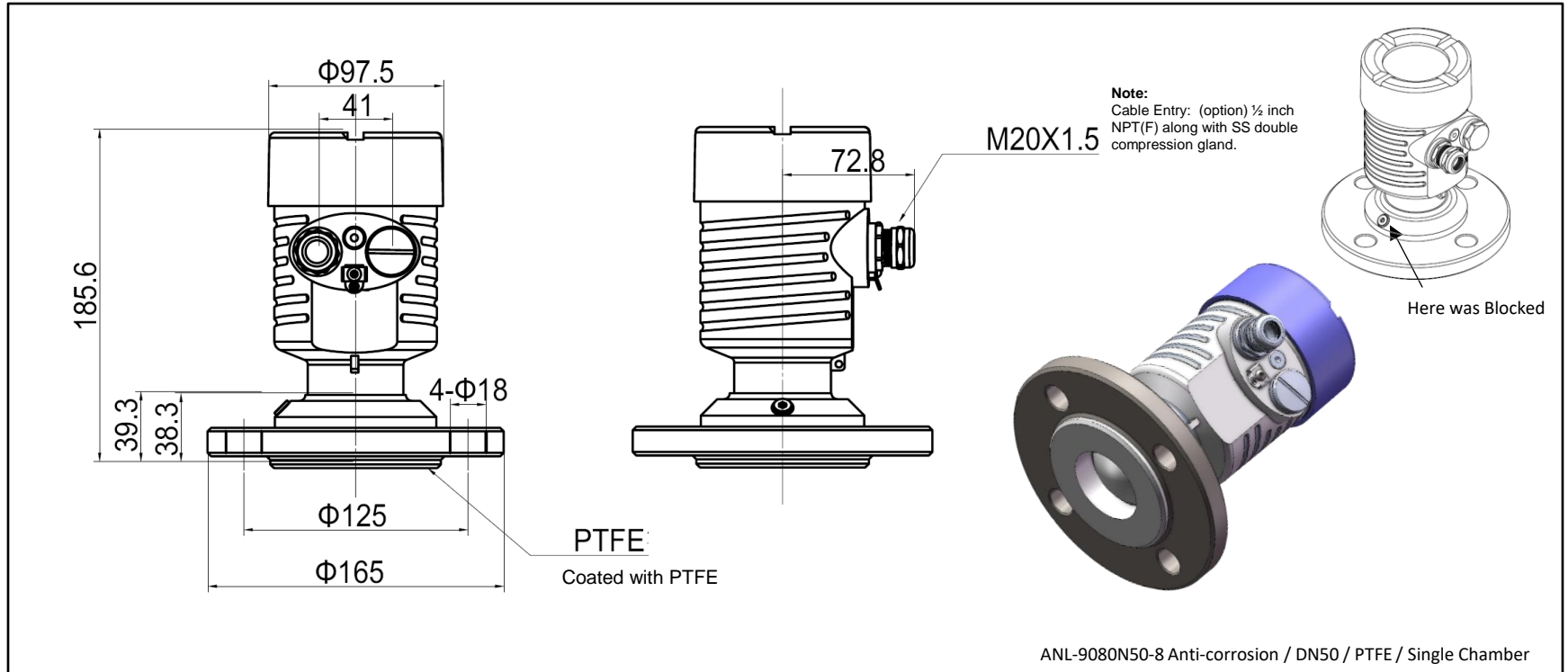


ANL-9080N50-7 Purging / DN50 / PTFE/PEEK / Single Chamber

ANL-9080N50-7 Purging / DN50 / PTFE/PEEK / Double Chamber



ANL-9080N50-8 Anti-corrosion / DN50 / PTFE / Single Chamber



ANL-9080N80



①

②

③

④

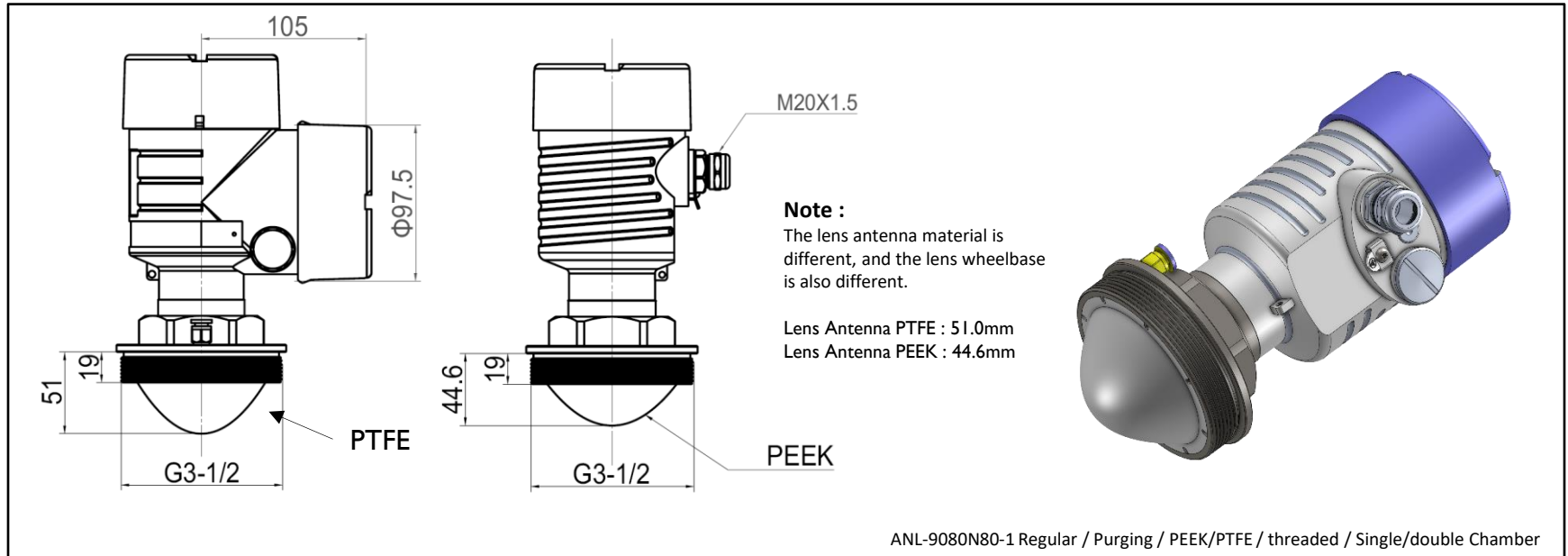
⑤

⑥

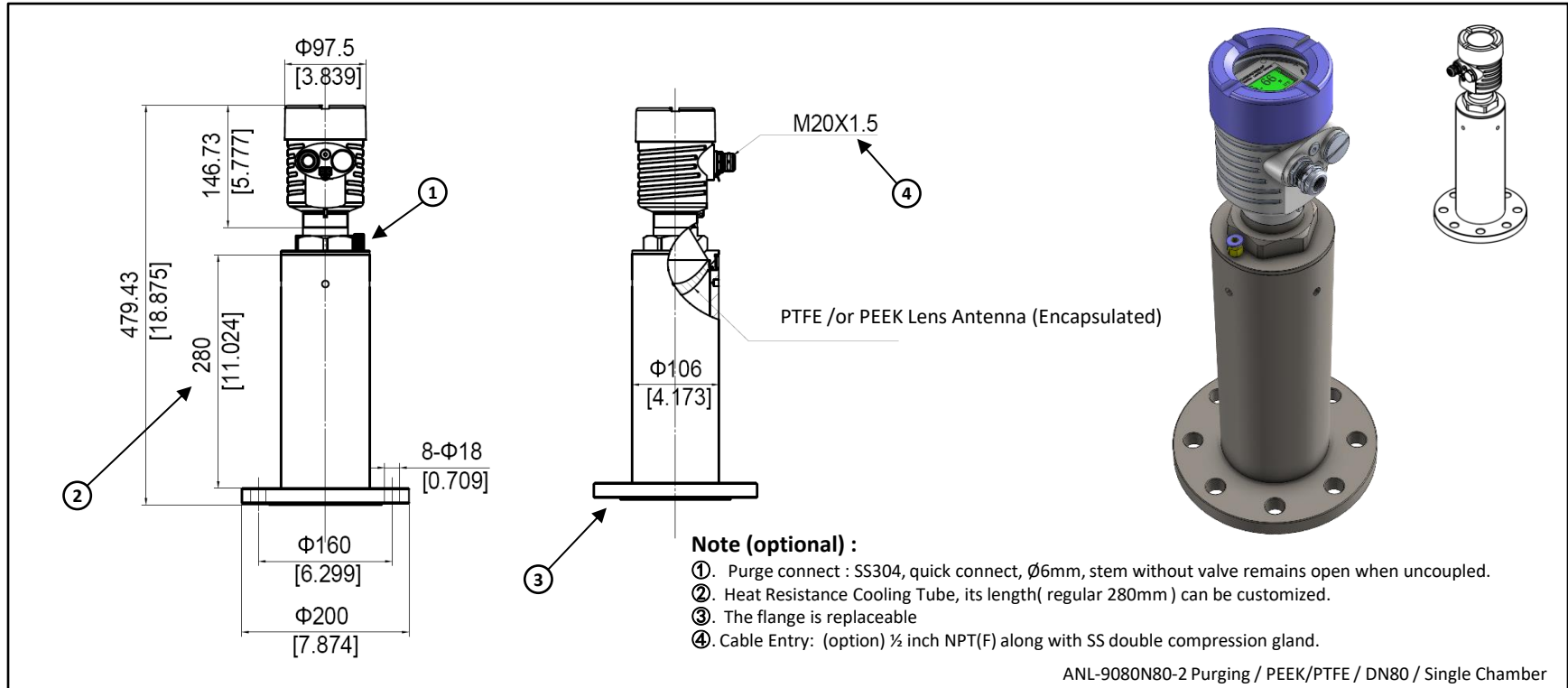
⑦

	名称 Name	安装方式 Connection Type	过程接触面材料 Materials of Conn.	介质透镜天线参数 lens antenna parameters	过程温度 Process Temperature	法兰连接等级/压力 Rating / pressure	带吹扫结构 Purging	万向节结构 Aiming	防腐结构 Anticorrosive
①	9080N80-1	BSSP(G) thread G3-1/2	SST/PTFE (default) Or PEEK	Φ80mm Beam angle 4.5° / Gain 32dB	PEEK lens: -60 ~ 150°C PTFE lens: -40 ~ 150°C	Non-flange connection	YES		
②	9080N80-2	Raised Face flange >= DN80	SST/PTFE (default) Or PEEK	Φ80mm Beam angle 4.5° / Gain 32dB	PEEK lens: -60 ~ 450°C PTFE lens: -40 ~ 450°C	EN1092-1 PN16	YES		
③	9080N80-3	Raised Face flange >= DN80	SST/PTFE (default) Or PEEK	Φ80mm Beam angle 4.5° / Gain 32dB	PEEK lens: -60 ~ 180°C PTFE lens: -40 ~ 180°C	PEEK: -1.0~+3.5MPa (No Purging) PTFE: -0.2~+0.5MPa (No Purging)	YES		
④	9080N80-4	Flat face flange >= DN80	SST/PTFE (default) Or PEEK	Φ80mm Beam angle 4.5° / Gain 32dB	PEEK lens: -60 ~ 180°C PTFE lens: -40 ~ 180°C	EN1092-1 PN16 PTFE: -0.8 ~ 1.0MPa			YES
⑤	9080N80-5	Raised Face flange >= DN100	SST/PTFE (default)	Φ80mm Beam angle 4.5° / Gain 32dB	PEEK lens: -60 ~ 180°C PTFE lens: -40 ~ 180°C		YES	YES	
⑥	9080N80-6	Raised Face flange >= DN100	SST/PTFE (default)	Φ80mm Beam angle 4.5° / Gain 32dB	PEEK lens: -60 ~ 300°C PTFE lens: -40 ~ 300°C		YES	YES	
⑦	9080N80-7	Raised Face flange >= DN100	SST/PTFE (default) Or PEEK	Φ80mm Beam angle 4.5° / Gain 32dB	PEEK lens: -60 ~ 300°C PTFE lens: -40 ~ 300°C				

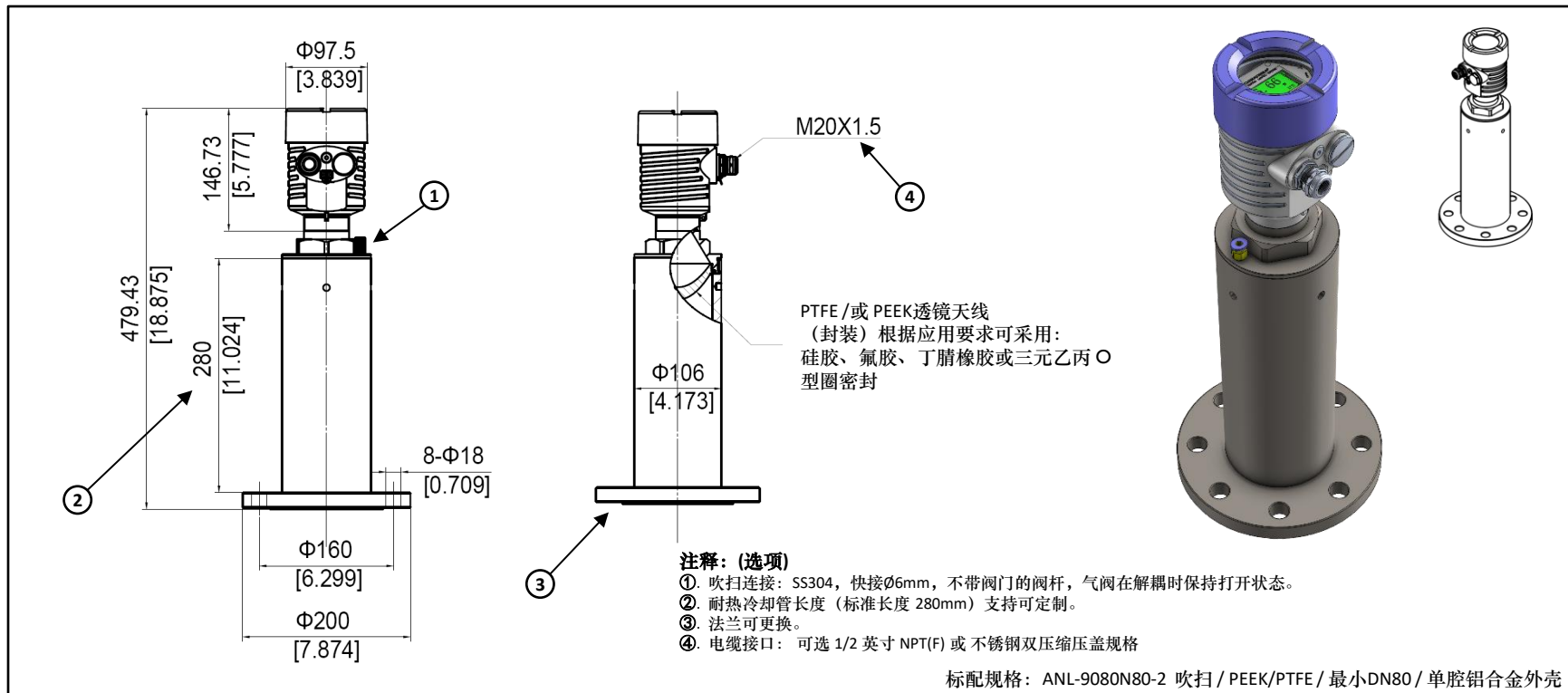
ANL-9080N80-1 Threaded G3-1/2 / PEEK/PTFE / Single Chamber



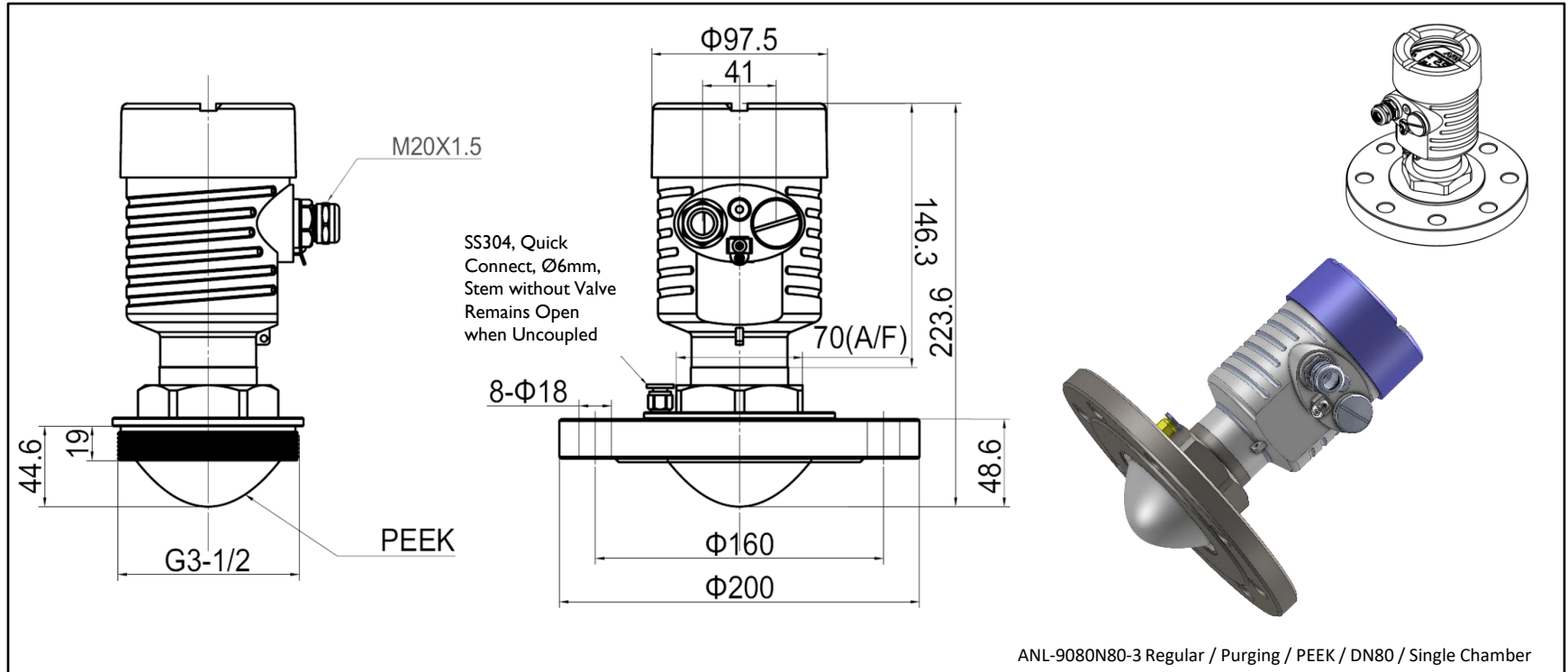
ANL-9080N80-2 Purging / DN80 / Single Chamber



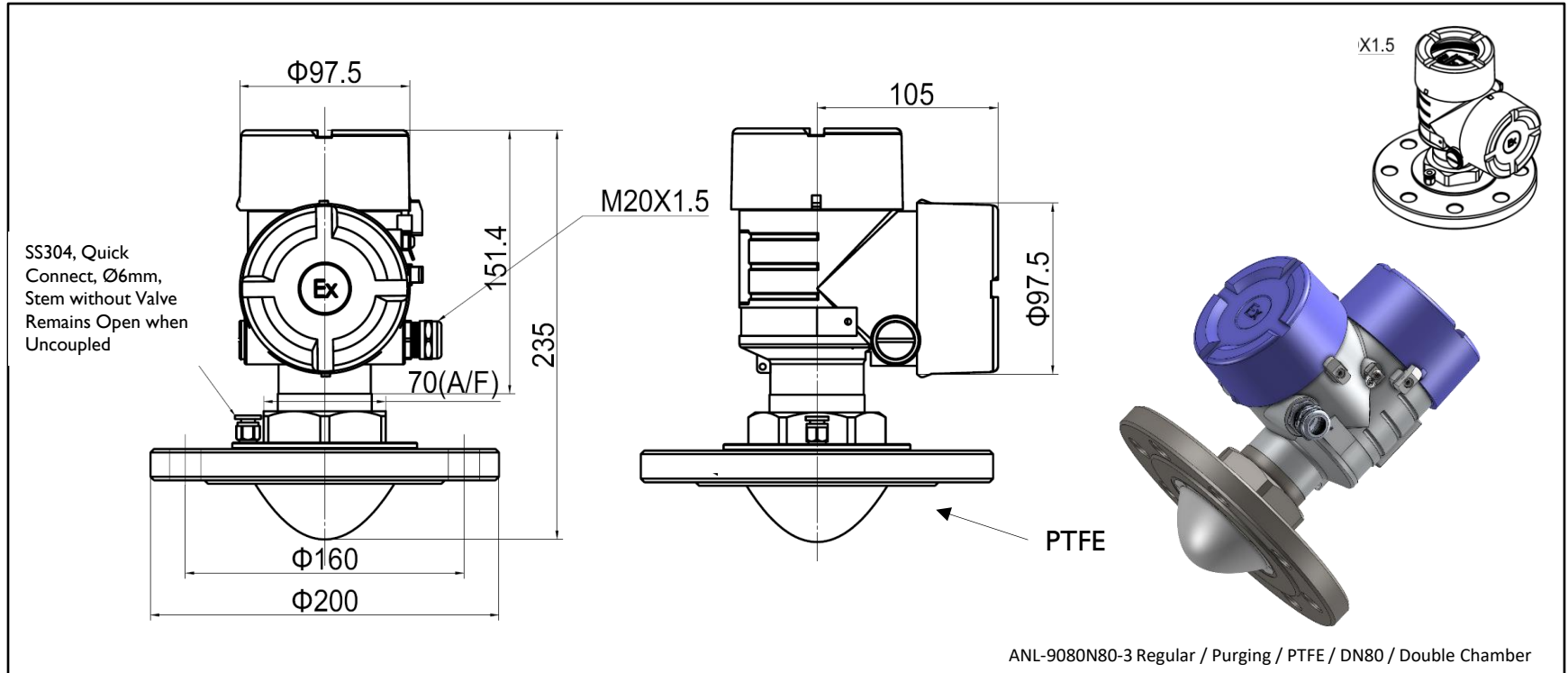
ANL-9080N80-2 吹扫 / DN80 / 单腔铝制外壳



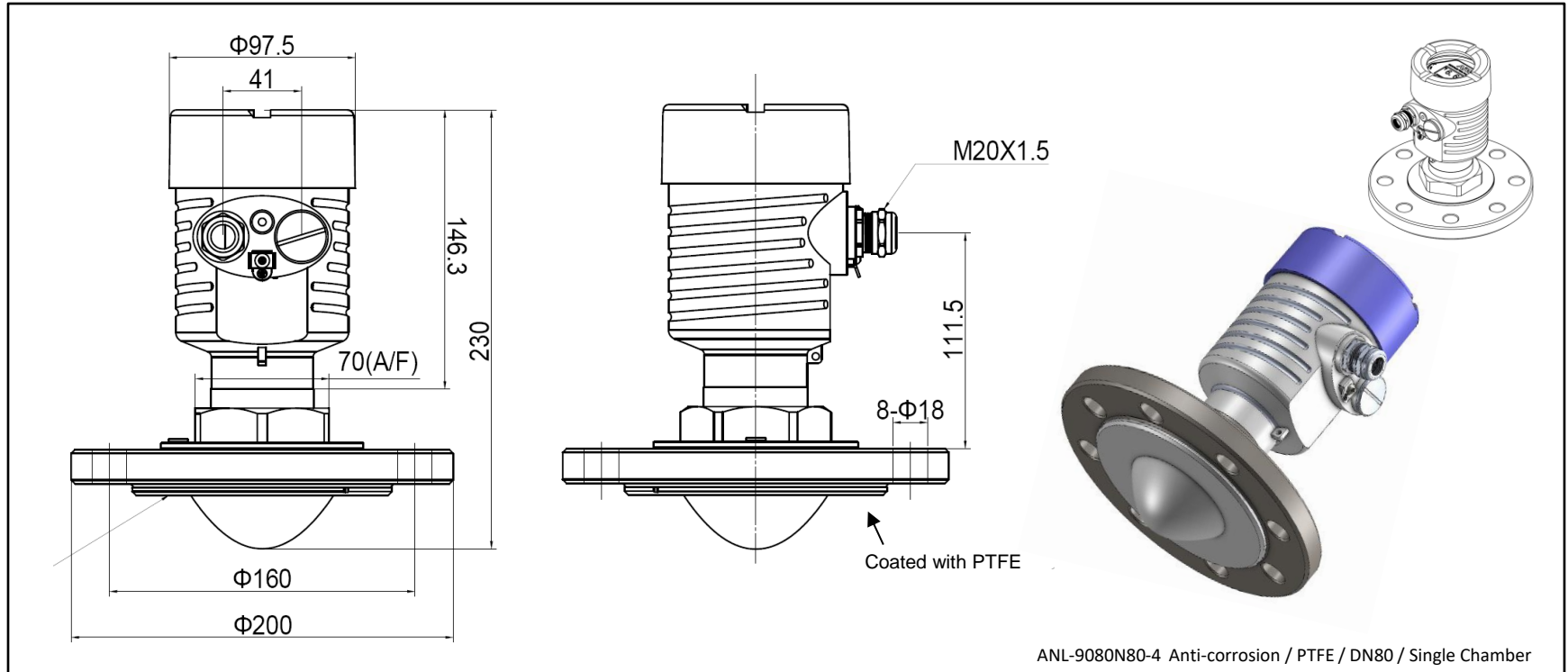
ANL-9080N80-3 Regular / PEEK / DN80 / Single Chamber



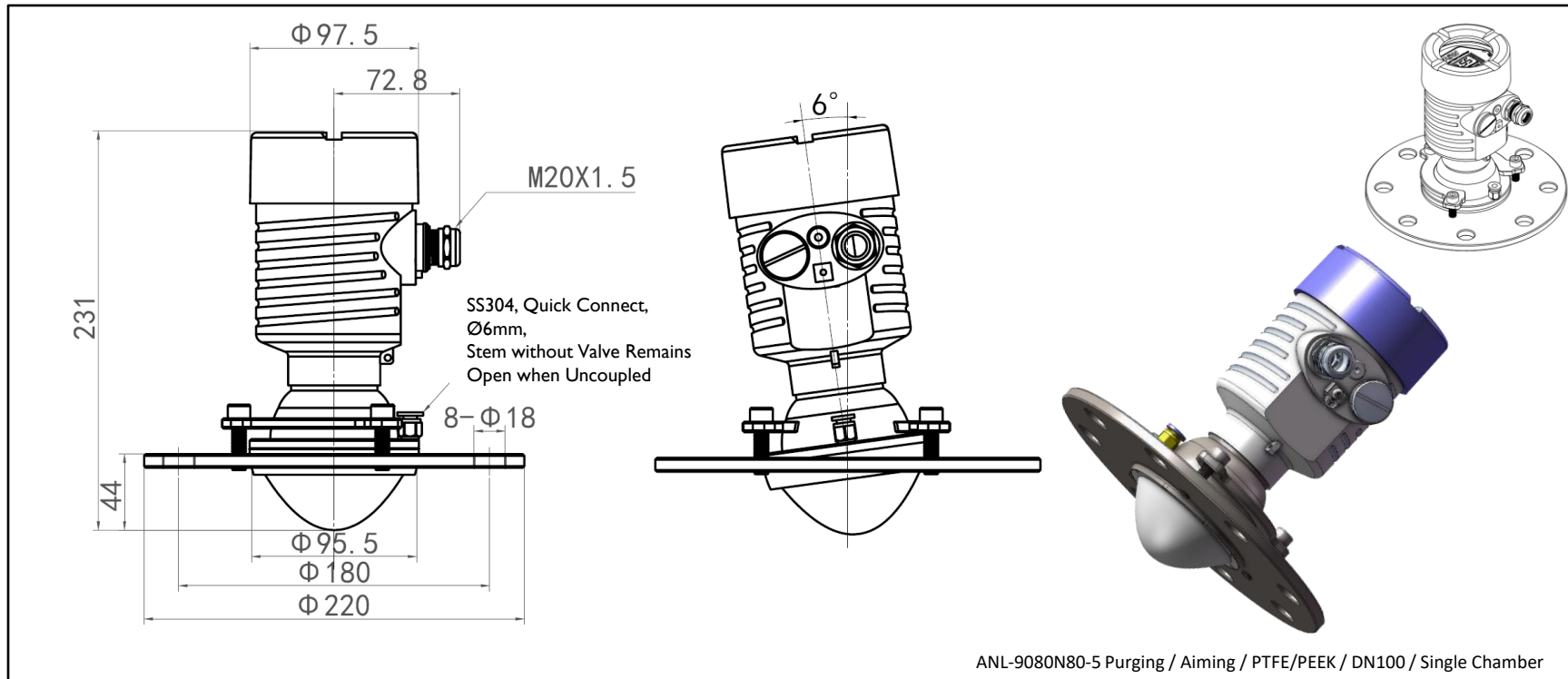
ANL-9080N80-3 Regular / PTFE / DN80 / Double Chamber



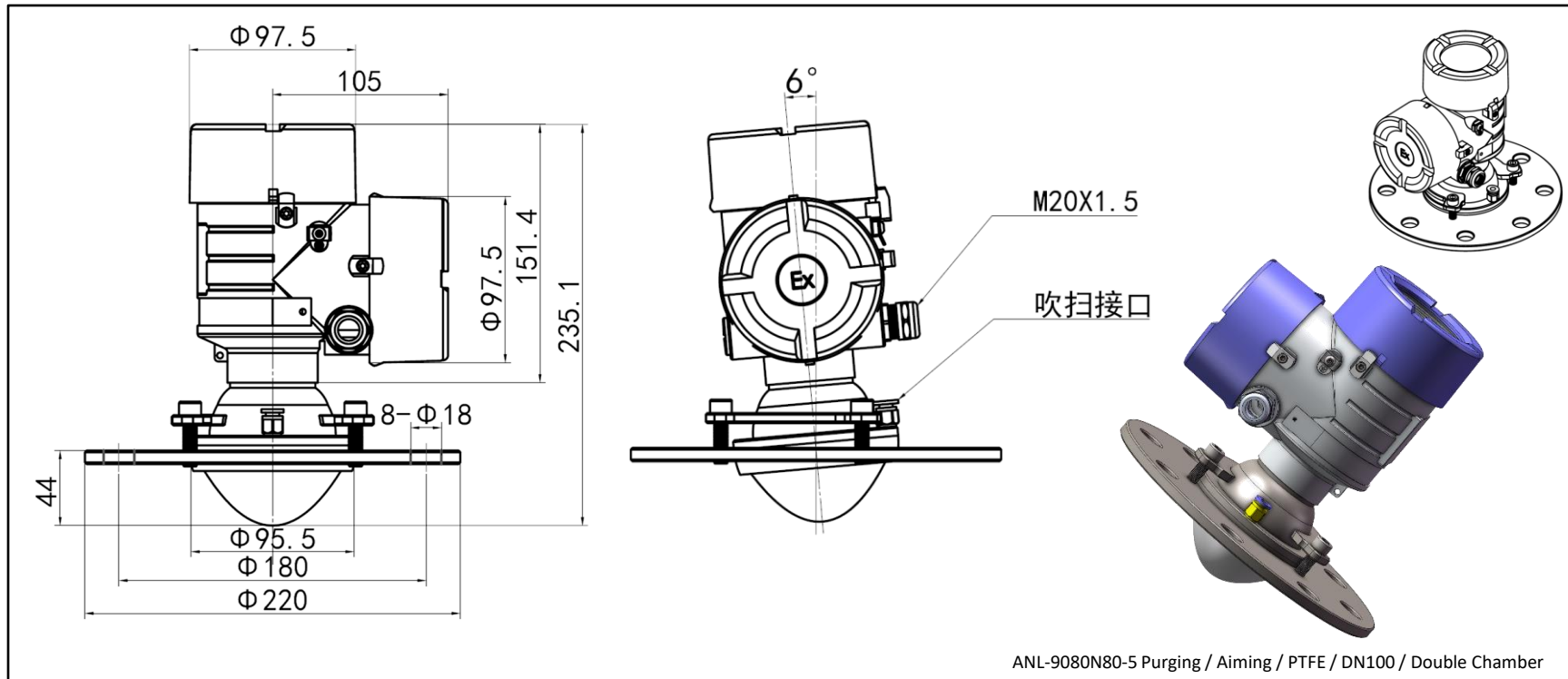
ANL-9080N80-4 Anti - corrosion / PTFE / DN80 / Single Chamber



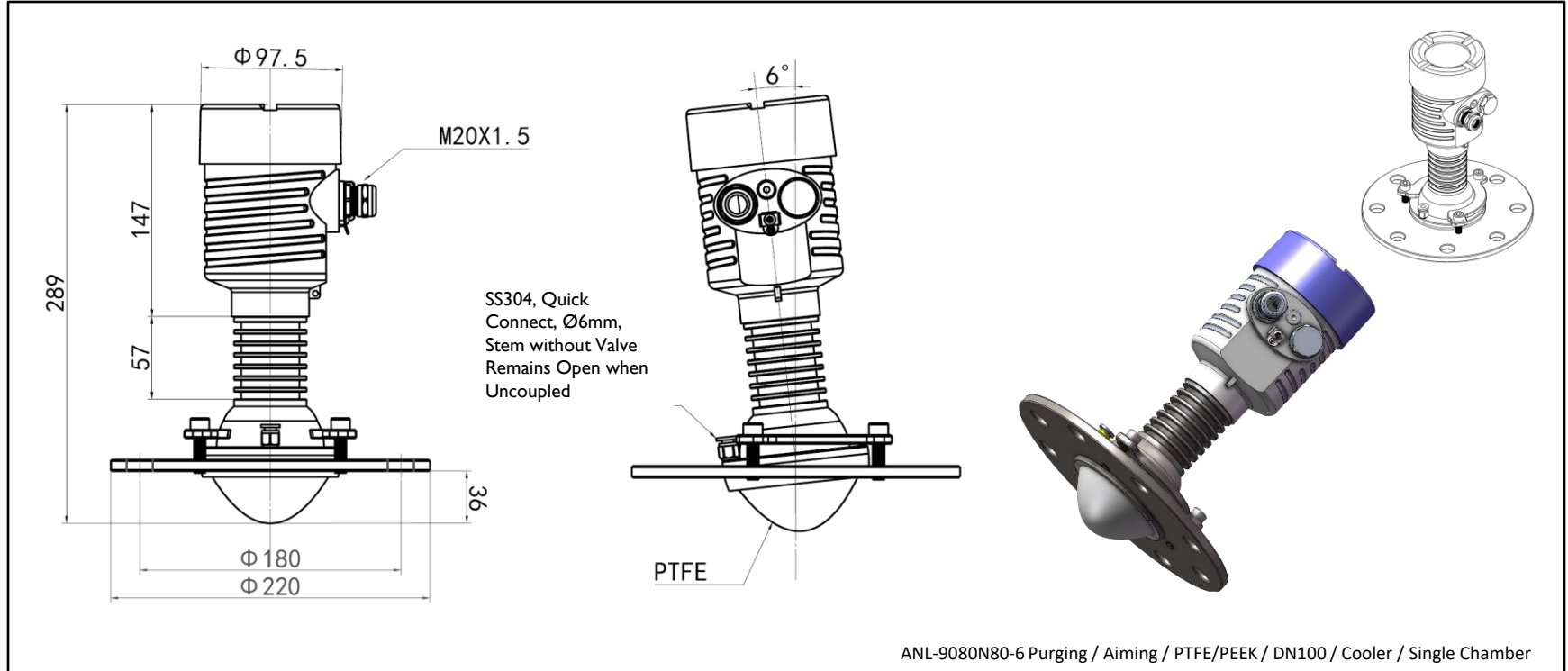
ANL-9080N80-5 Aiming / PTFE/PEEK / DN100 / Single Chamber



ANL-9080N80-5 Aiming / PTFE / DN100 / Double Chamber

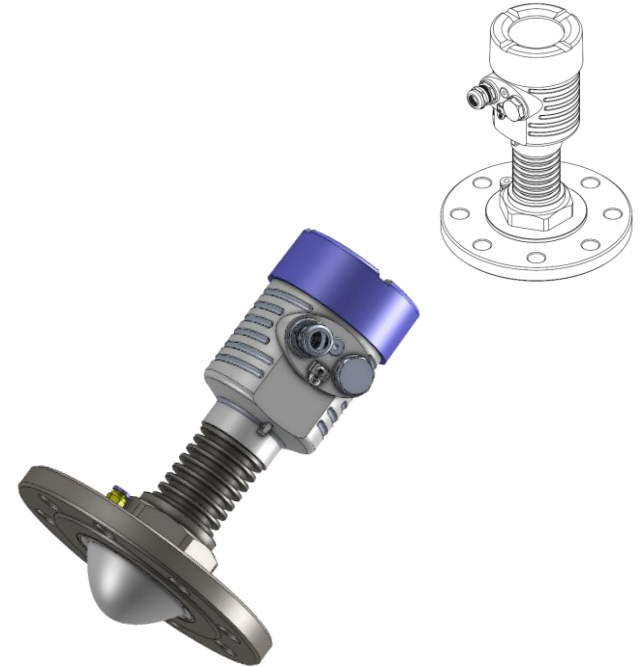
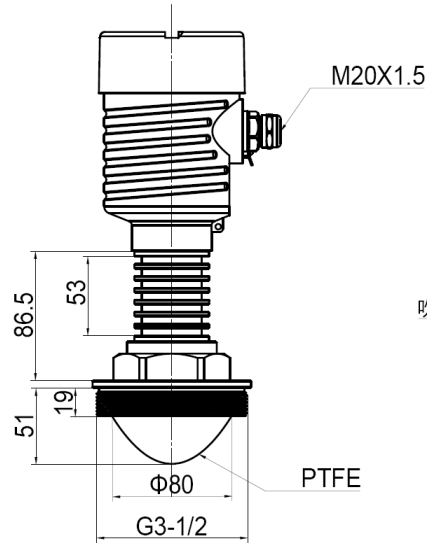
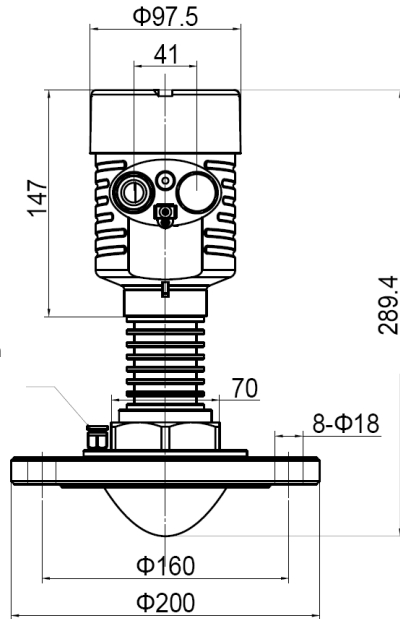


ANL-9080N80-6 Purging / Aiming / PTFE/PEEK / DN100 / Cooler / Single Chamber



ANL-9080N80-7 Purging / PTFE / DN80 / Cooler / Single Chamber

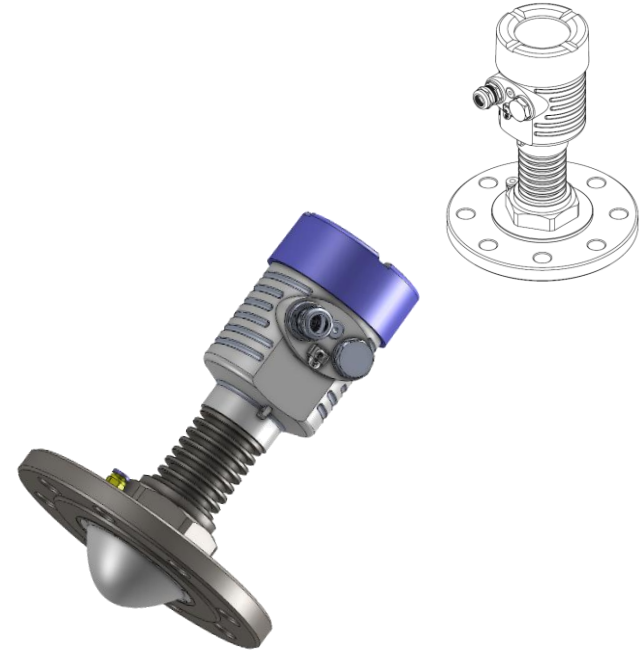
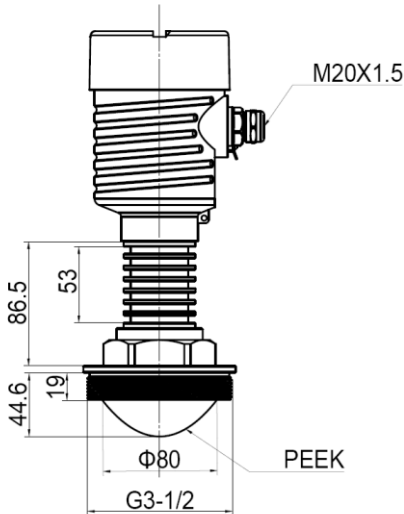
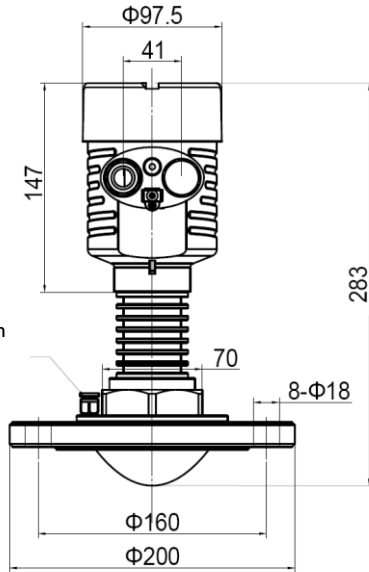
SS304, Quick
Connect, Ø6mm,
Stem without Valve
Remains Open when
Uncoupled



ANL-9080N80-7 Purging / PTFE / DN80 / Cooler / Single Chamber

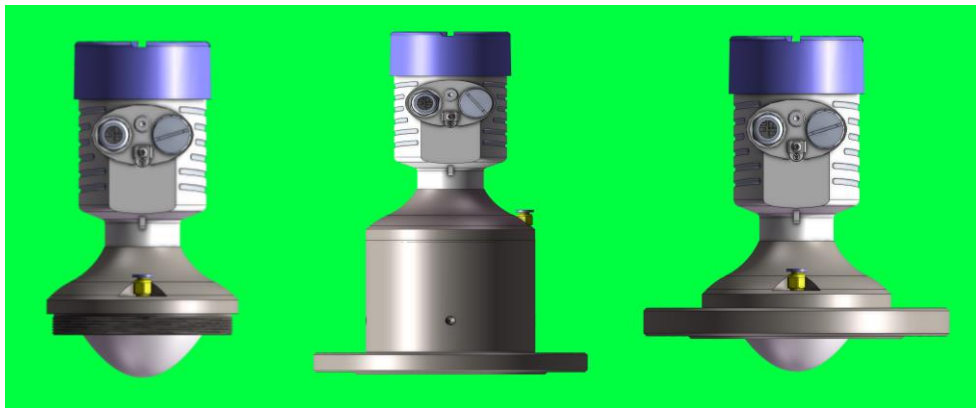
ANL-9080N80-7 Purging / PEEK / DN80 / Cooler / Single Chamber

SS304, Quick
Connect, Ø6mm,
Stem without Valve
Remains Open when
Uncoupled



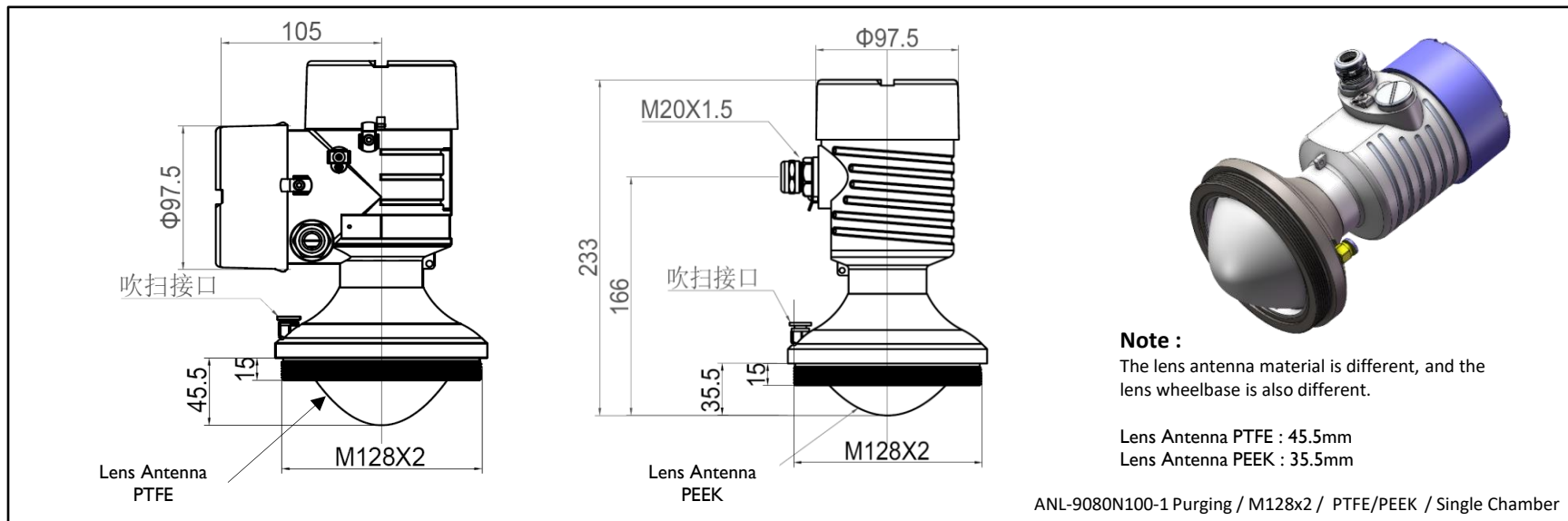
ANL-9080N80-7 Purging / PEEK / DN80 / Cooler / Single Chamber

ANL-9080NI00

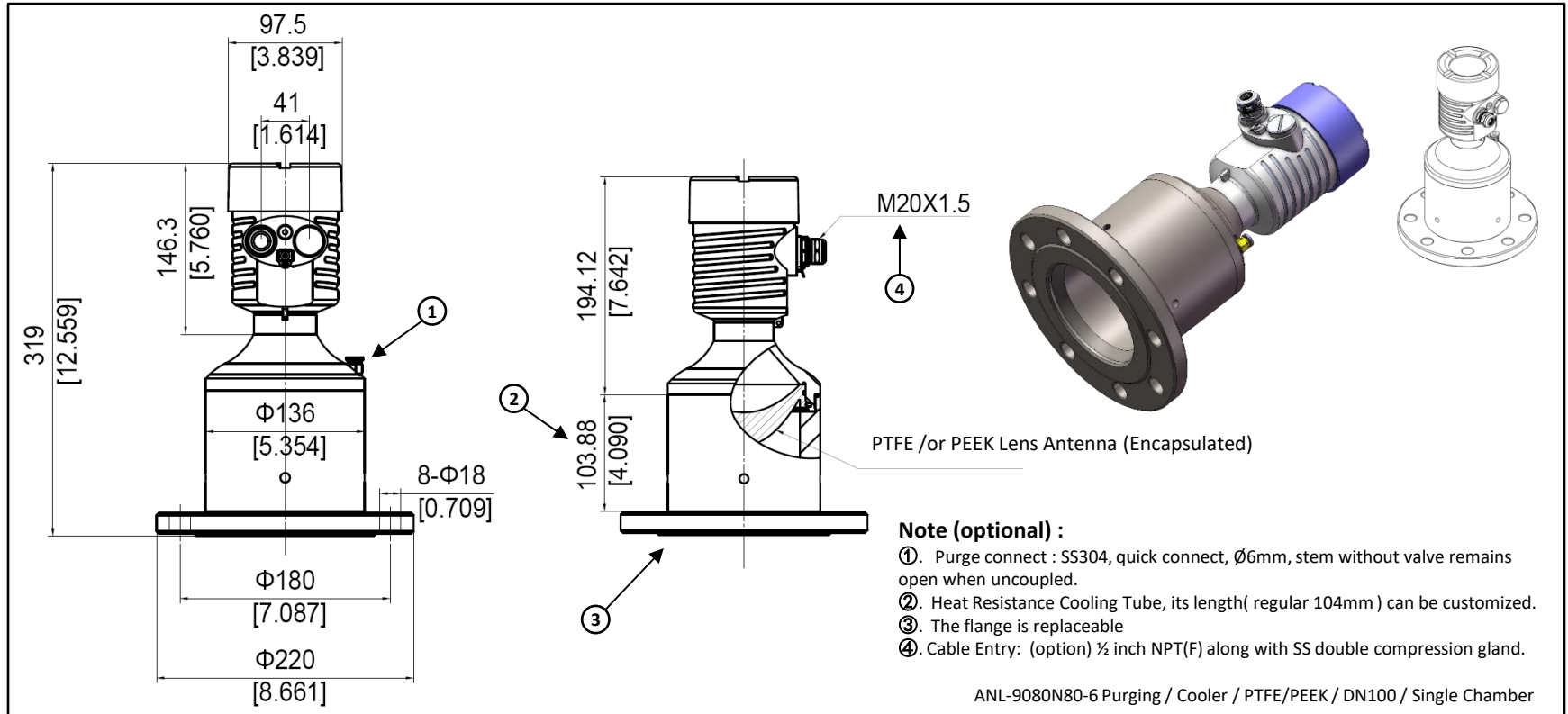


	名称 Name	安装方式 Connection Type	过程接触面材料 Materials of Conn.	介质透镜天线参数 lens antenna parameters	过程温度 Process Temperature	法兰连接等级/压力 Rating / pressure	带吹扫结构 Purging	万向节结构 Aiming	防腐结构 Anticorrosive
①	9080NI00-1	BSSP(G) thread M128x2	SST/PTFE (default) Or PEEK	Φ100mm Beam angle 3° / Gain 32dB	PEEK lens: -60 ~ 180°C PTFE lens: -40 ~ 180°C	Non-flange connection	YES		
②	9080NI00-2	Raised Face flange ≥ DN100	SST/PTFE (default) Or PEEK	Φ100mm Beam angle 3° / Gain 32dB	PEEK lens: -60 ~ 350°C PTFE lens: -40 ~ 350°C	EN1092-1 PN16	YES		
③	9080NI00-3	Raised Face flange ≥ DN100	SST/PTFE (default) Or PEEK	Φ100mm Beam angle 3° / Gain 32dB	PEEK lens: -60 ~ 200°C PTFE lens: -40 ~ 200°C	PEEK: -1.0 ~ 3.0 MPa (No Purging) PTFE: -0.5 ~ 0.8 MPa (No Purging)	YES		

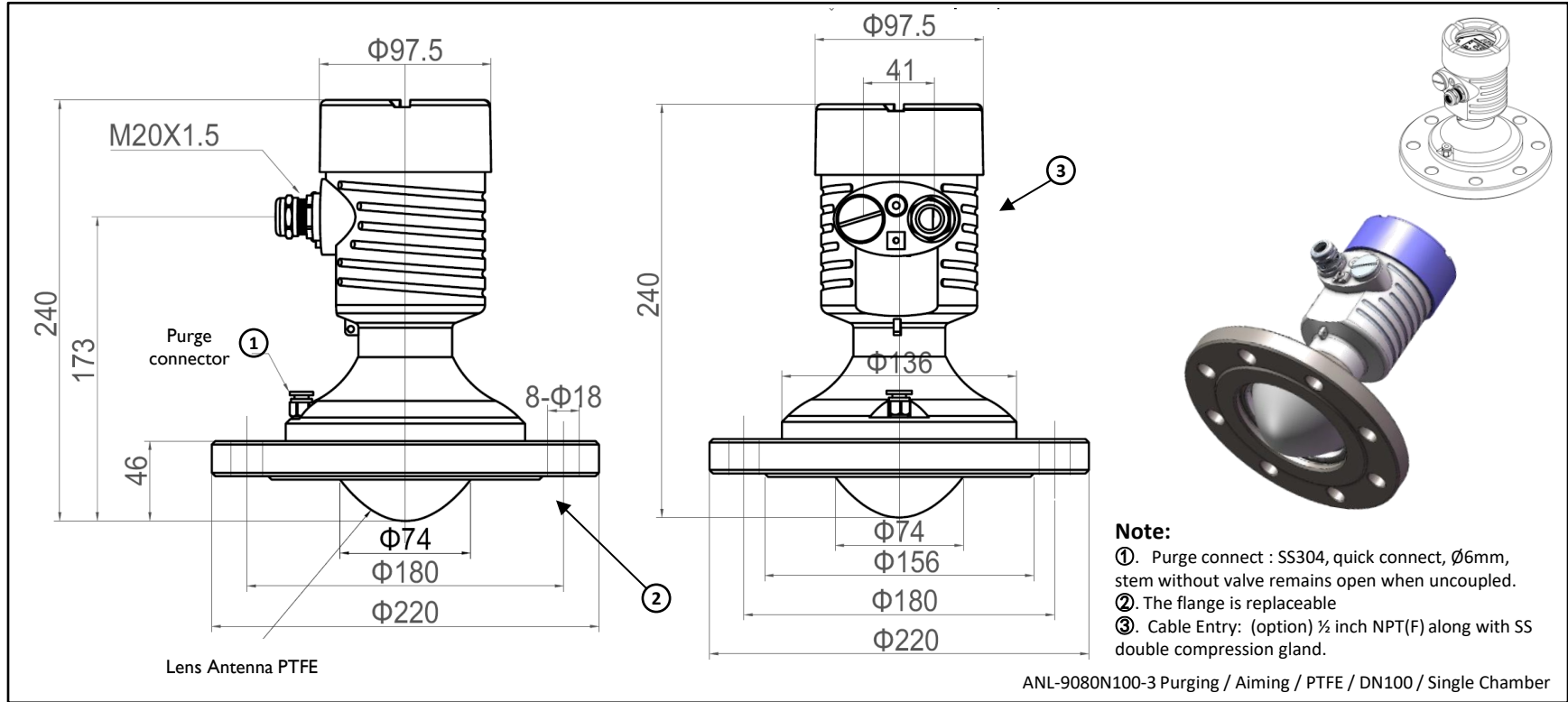
ANL-9080NI00-1 Regular / PTFE/PEEK / DNI00 / Single Chamber



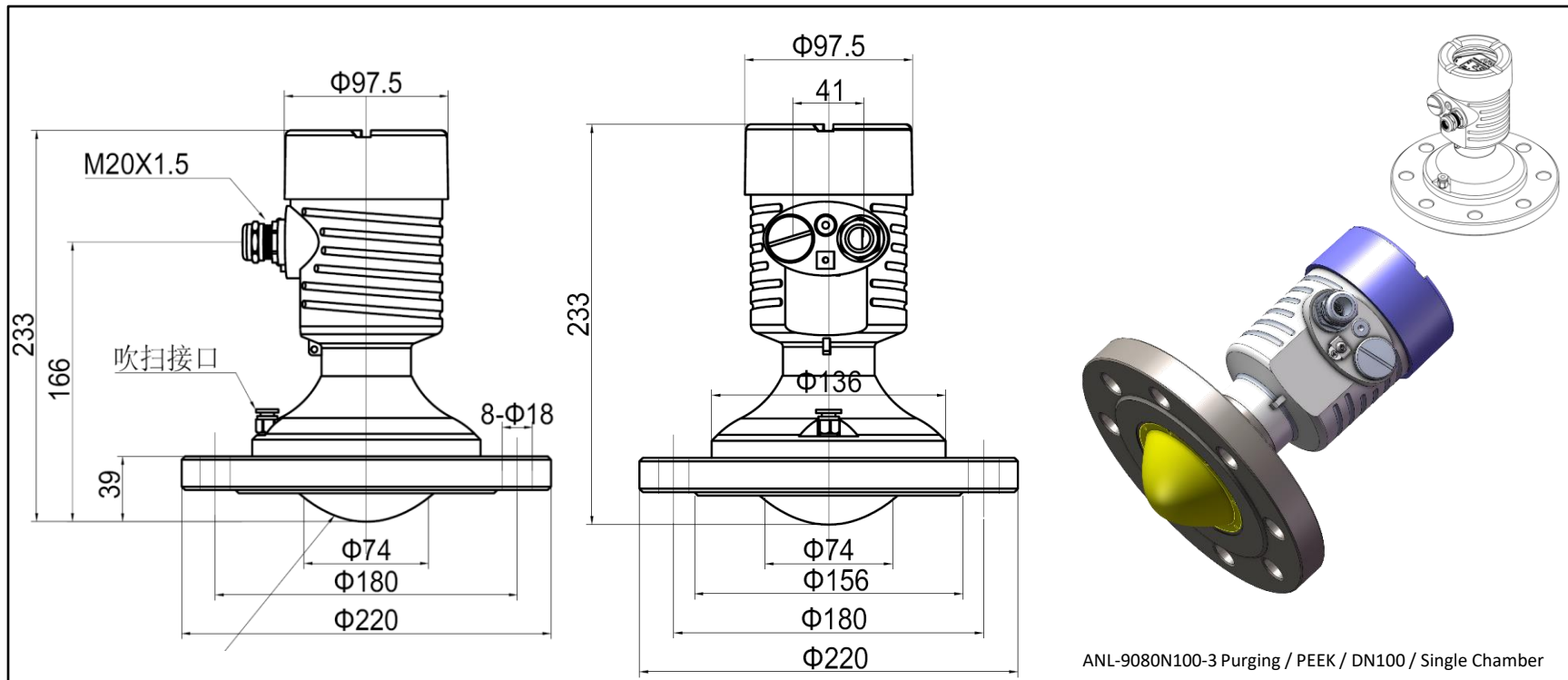
ANL-9080NI00-2 Purging / Cooler / PTFE/PEEK / DN100 / Single Chamber



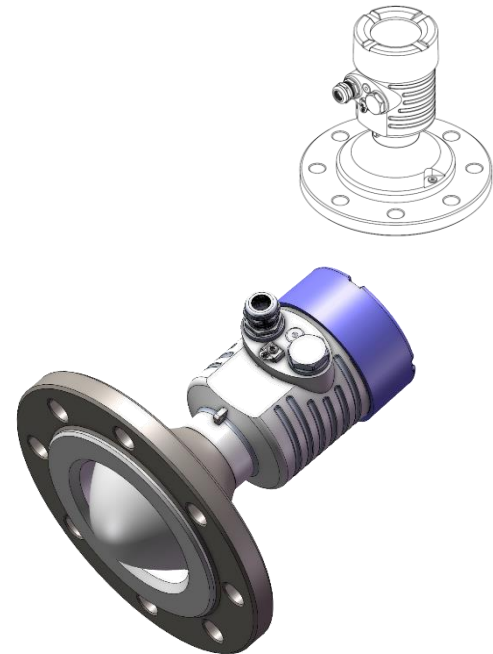
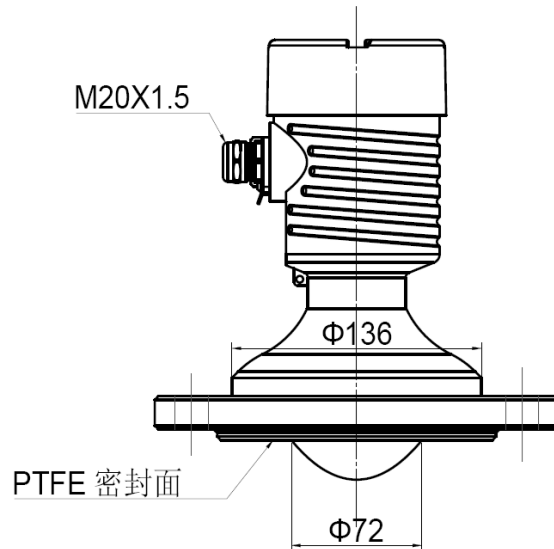
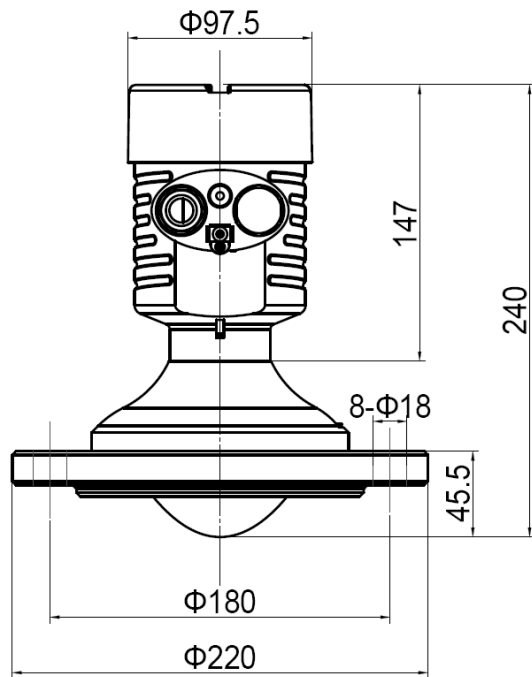
ANL-9080N100-3 Regular / PTFE / DN100 / Single Chamber



ANL-9080NI00-3 Regular / PEEK / DN100 / Single Chamber

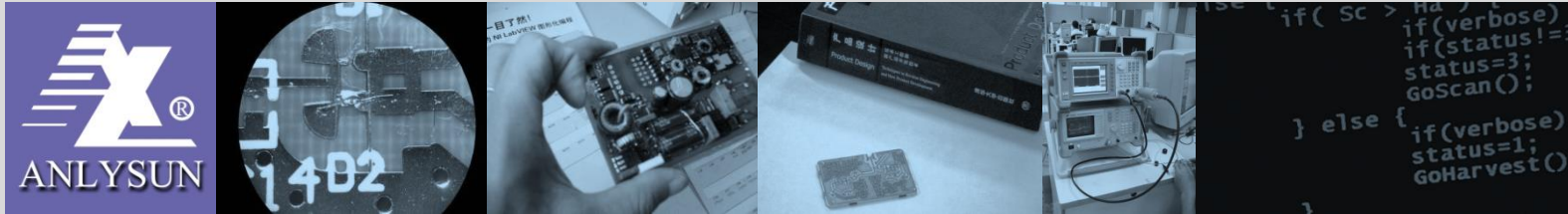


ANL-9080N100-4 Anti-corrosion / PTFE / DN100 / Single Chamber



ANL-9080N100-4 Anti-corrosion / PTFE / DN100 / Double Chamber

CHINASIMBA ANLYSUN



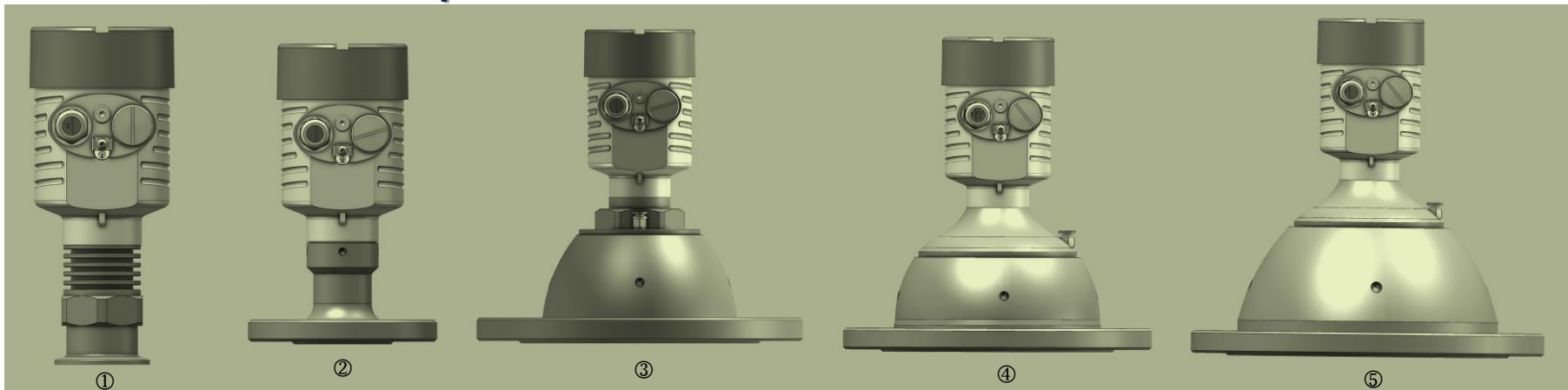
ANLYSUN YOUR COMPANY'S R&D DEPARTMENT

www.anlysun.com

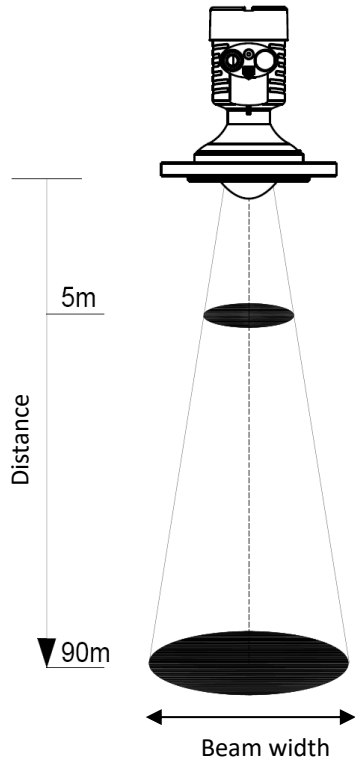
STRICTLY CONFIDENTIAL

ANL908 IS 标准规格 共4款

908 IS Serials standard specification



	名称 Name	安装方式 Connection Type	过程接触面材料 Materials of Conn.	介质透镜天线参数 lens antenna parameters	过程温度 Process Temperature	法兰连接等级/压力 Rating / pressure	带吹扫结构 Purging	万向节结构 Aiming	防腐结构 Anticorrosive
①	9080N100-1	Sanitary fittings DN50	SST/PTFE (default) Or PEEK	Φ30mm Beam angle 8° / Gain 24dB	PEEK lens: -60 ~ 180°C PTFE lens: -40 ~ 180°C	Non-flange connection	YES		
②	9080N100-2	Raised Face flange >= DN32	SST/PTFE (default) Or PEEK	Φ25mm Beam angle 8° / Gain 22dB	PEEK lens: -60 ~ 350°C PTFE lens: -40 ~ 350°C	EN1092-1 PN16	YES		
③	9080N100-3	Raised Face flange >= DN150	SST/PTFE (default) Or PEEK	Φ80mm Beam angle 4° / Gain 32dB	PEEK lens: -60 ~ 200°C PTFE lens: -40 ~ 200°C	PEEK: -1.0 ~ 3.0 MPa (No Purging) PTFE: -0.5 ~ 0.8 MPa (No Purging)	YES		
④	9080N100-4	Raised Face flange >= DN150	SST/PTFE (default) Or PEEK	Φ100mm Beam angle 2° / Gain 34dB	PEEK lens: -60 ~ 250°C PTFE lens: -40 ~ 250°C		YES		
⑤	9080N100-5	Raised Face flange >= DN200	SST/PTFE (default) Or PEEK	Φ100mm Beam angle 1.1° / Gain 35dB	PEEK lens: -60 ~ 350°C PTFE lens: -40 ~ 350°C		YES		



ANL-9080N80

