

ANL-TFT320x240-Colors

Radar Level Gauge TFT LOI Module

PERFORMANCE

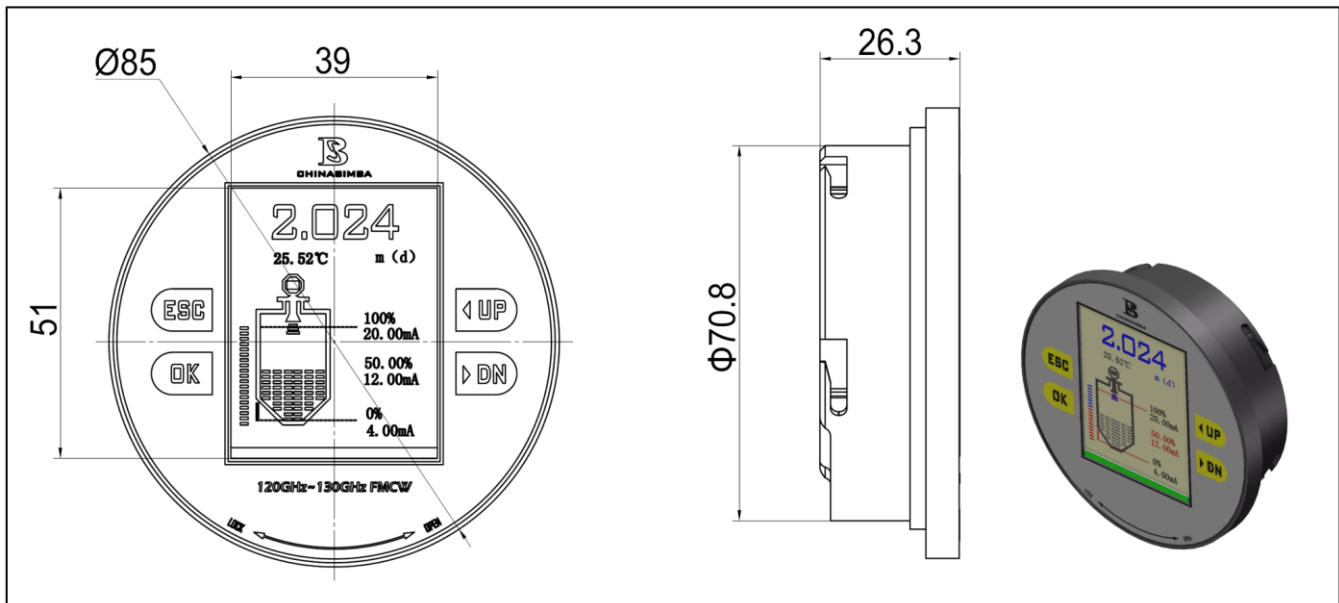
- The CHINASIMBA TFT320x240-Colors display module (LOI), its high resolution(320x240) and rich display colors can provide users with a better customer experience. At the same time, it provides more accurate and complete radar level gauge operation data/parameters, which makes the on-site debugging work more effective.
- This module is suitable for 4-wire radar level transmitter systems and is the best choice for applications in dark, or poorly lit and cold process occasions.



SPECIFICATIONS

Display type	2.4" TFT 65K/262K colors model
View direction	6 o'clock
Digital Communication Type	I ² C
Communication Distance	< 2M
Protection	IP67
Casing material	Nylon
Operating temperature	-20 ... 70 °C
Operating humidity	≤95%RH
Process pressure	-0.1 ~ 0.1MPa
Dimensions	Ø85mm x 26.3mm
Power supply	Powered by I ² C port, (+2.7~5.0V / Max. current < 35mA)
Power consumption	≤ 100mW
Weight	≤ 0.5kg
Suitable for product type	ANL-8260 26GHz pulse radar level transmitter series, 4-wire specifications ANL-8010 GW radar level transmitter series, 4-wire specifications ANL-9107 24GHz FMCW radar level transmitter series, 4-wire specifications ANL-9127 120GHz radar FMCW level transmitter series, 4-wire specifications ANL-9080 80GHz radar FMCW level transmitter series, 4-wire specifications

Dimensions



CHINASIMBA
ANLYSUN

NOTE: For this Doc., Chinasimba Electronic Co., Ltd is continue to improve and upgrade its products and services, thus, the file information will be covered by changing, without prior notice, nor as promised Chinasimba Electronic Co., Ltd. In addition, the product user manual already includes safe use of warnings. Therefore, if there is any misuse or cause of any event, Chinasimba Electronics Co., Ltd will not take any responsibility.

Chinasimba Electronic Co., Ltd. hereby guarantees that its products are not defective in materials and workmanship and are in complete conformity with the above disclaimer.