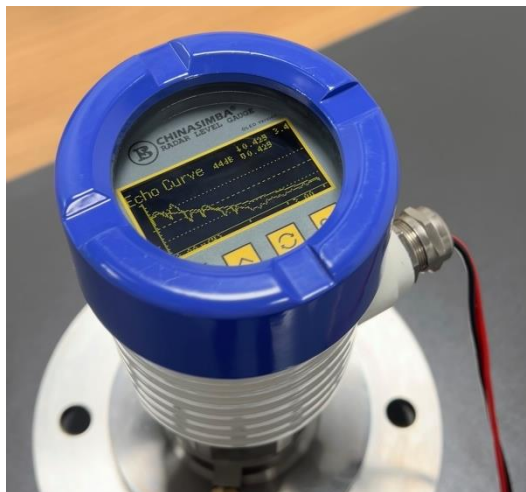


# ANL-LCM12864-OLED

## Radar Level Gauge OLED LOI Module

### PERFORMANCE

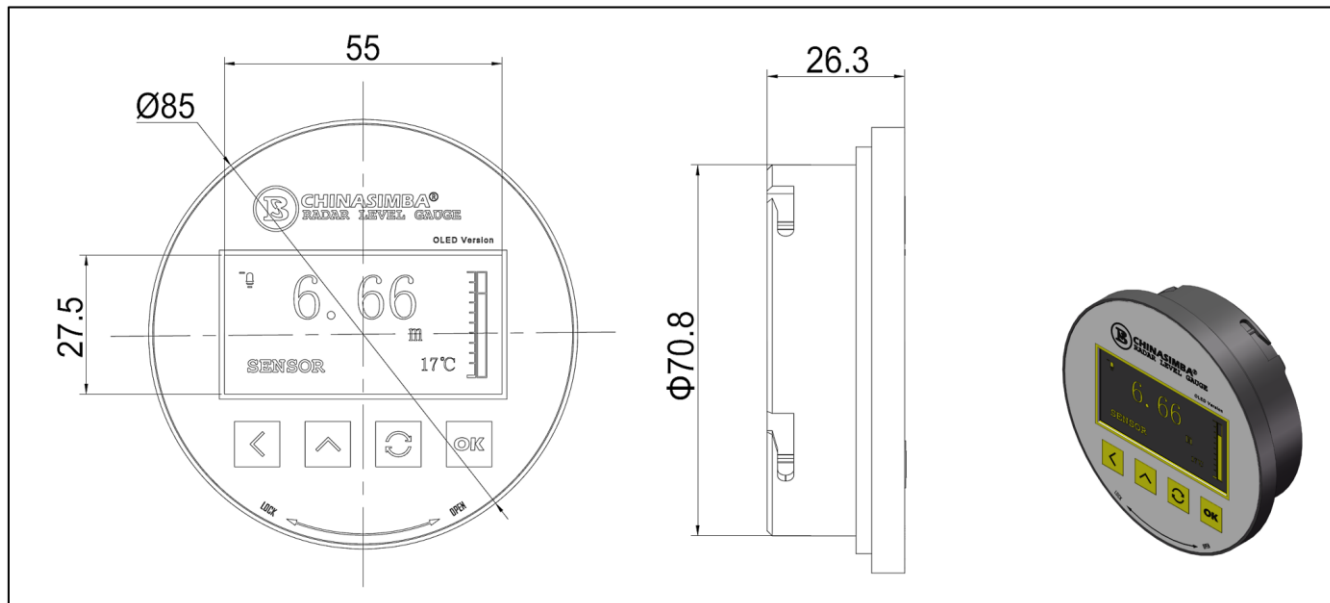
- In the cold northern regions, under the climate condition of -40 degrees Celsius, the radar level transmitters LOI should be guaranteed to display normally adapter.
- CHINASIMBA LCM-DM12864-OLED display module, it is suitable for 2-wire radar level transmitter systems and is the best choice for applications in cold regions.



### SPECIFICATIONS

Display type	OLED model
View direction	180 o'clock
Digital Communication Type	I <sup>2</sup> C
Communication Distance	< 2M
Protection	IP67
Casing material	Nylon
Operating temperature	-55 ... 80 °C
Operating humidity	≤95%RH
Process pressure	-0.1 ~ 0.1MPa
Dimensions	Ø85mm x 26.3mm
Power supply	Powered by I <sup>2</sup> C port, (+2.7~3.3V / Max. current < 20mA)
Power consumption	≤ 60mW
Weight	≤ 0.5kg
Suitable for product type	ANL-8260 26GHz pulse radar level transmitter series, 2-wire and 4-wire specifications ANL-8010 GW radar level transmitter series, 2-wire and 4-wire specifications ANL-9107 24GHz FMCW radar level transmitter series, 2-wire and 4-wire specifications ANL-9127 120GHz radar FMCW level transmitter series, 2-wire and 4-wire specifications ANL-9080 80GHz radar FMCW level transmitter series, 2-wire and 4-wire specifications

## Dimensions



**CHINASIMBA**  
**ANLYSUN**

NOTE: For this Doc., Chinasimba Electronic Co., Ltd is continue to improve and upgrade its products and services, thus, the file information will be covered by changing, without prior notice, nor as promised Chinasimba Electronic Co., Ltd. In addition, the product user manual already includes safe use of warnings. Therefore, if there is any misuse or cause of any event, Chinasimba Electronics Co., Ltd will not take any responsibility.

Chinasimba Electronic Co., Ltd. hereby guarantees that its products are not defective in materials and workmanship and are in complete conformity with the above disclaimer.