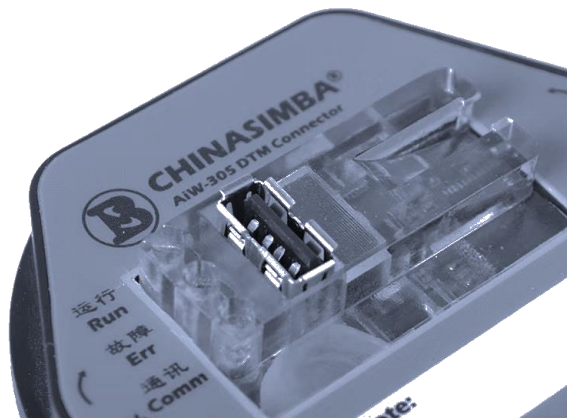


AIW-305

Radar Level Gauge DTM Interface USB Adapter

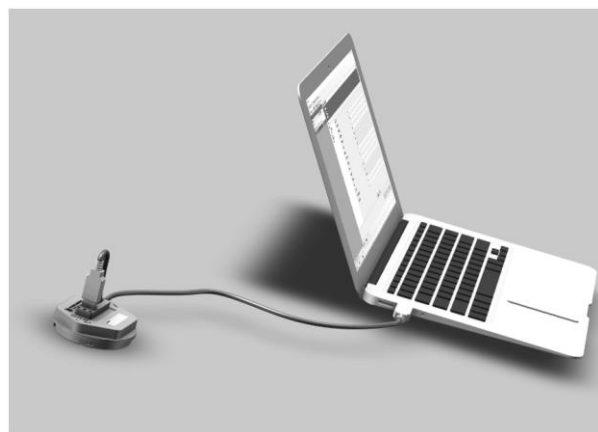
PERFORMANCE

- Connection of the PC directly to the radar Level transmitter via the AIW305 interface USB adapter
- For parameter adjustment of the CHINASIMBA's radar products via a Windows PC, the configuration software RadarPCManager/PACTware and a suitable instrument driver (DTM) Flexible installation, suitable for all kinds ANL- of installation forms on site according to FDT standard are required.

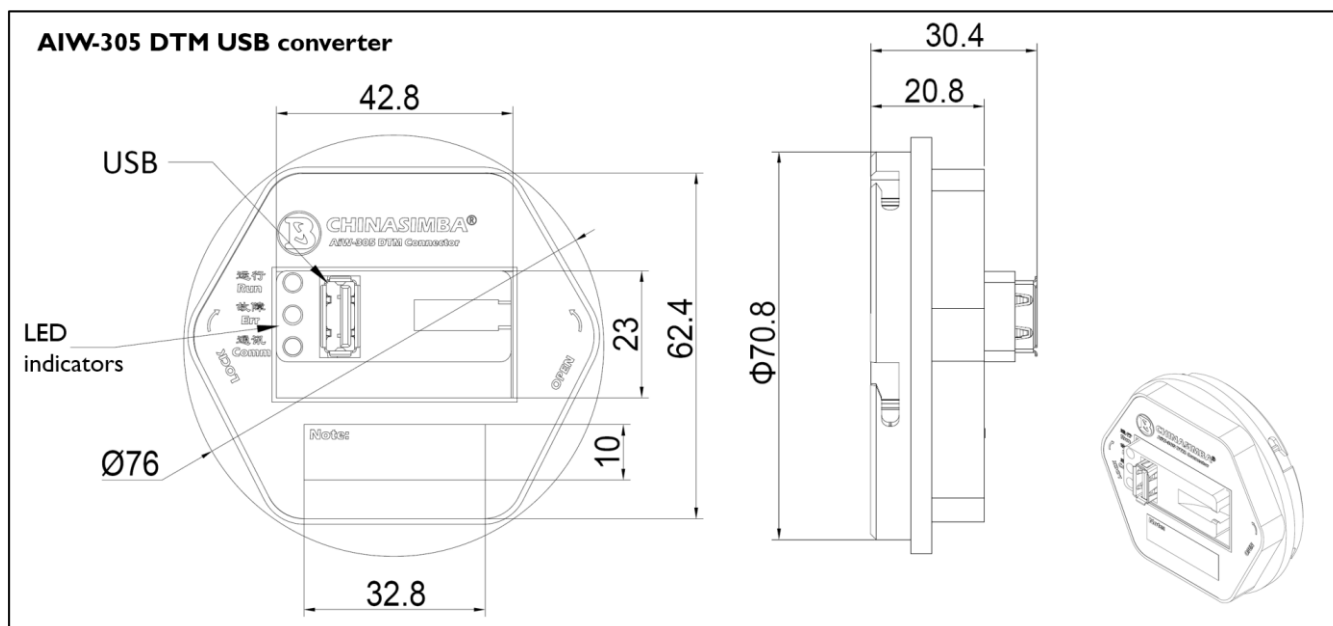


SPECIFICATIONS

Data updating rate	<0.5s
Power supply	It is powered by a USB port and communicates with Level Radar Transmitter equipment in isolation. (USB: +5V/500mA)
Communication Type	USB 2.0
Communication Distance	< 5M
Power consumption	≤0.5W
Casing material	Nylon
Process temperature	-40 ... 80 °C
Process humidity	≤95%RH
Process pressure	-0.1 ~ 0.1MPa
Dimensions	72mm x 72mm x 31mm
Connection	USB-A
Protection	IP67
Weight	≤ 0.5kg



Dimensions



CHINASIMBA
ANLYSUN

NOTE: For this Doc., Chinasimba Electronic Co., Ltd is continue to improve and upgrade its products and services, thus, the file information will be covered by changing, without prior notice, nor as promised Chinasimba Electronic Co., Ltd. In addition, the product user manual already includes safe use of warnings. Therefore, if there is any misuse or cause of any event, Chinasimba Electronics Co., Ltd will not take any responsibility.

Chinasimba Electronic Co., Ltd. hereby guarantees that its products are not defective in materials and workmanship and are in complete conformity with the above disclaimer.