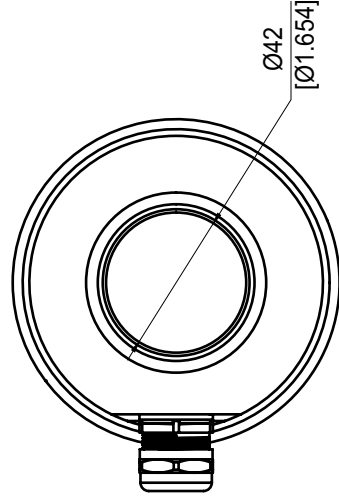
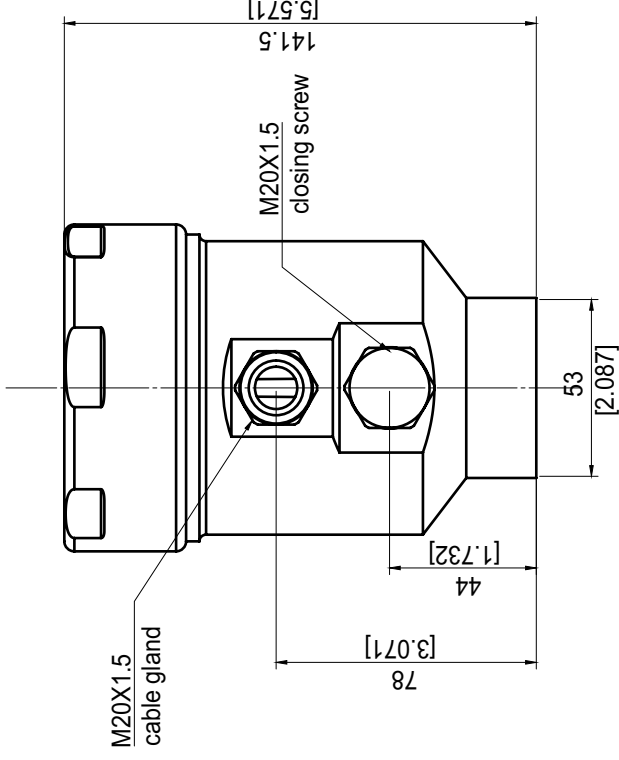
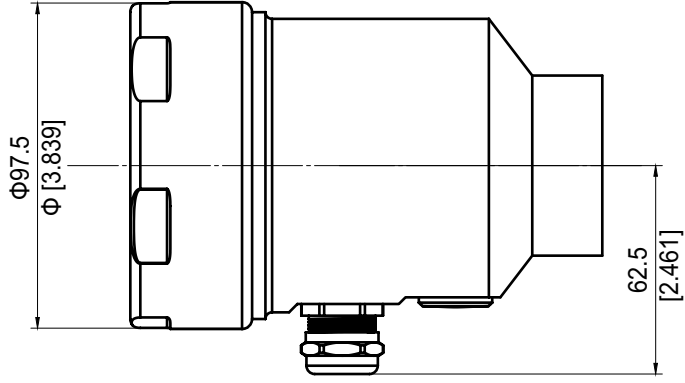


REV.	DESCRIPTION	DATE	DWN	APVD
A	1st edition release.	2024-02-19	Robin	Phoenix

1.6



CHINASIMBA		TITLE	
PROJECT/PRODUCT	ANL-1800	PART NAME	单腔表壳/Single Chamber
REF SCH	N/A	PART NO.	1800-171-100
REF PCB	N/A	DRG NO.	1800-171-100
FILE	1800-171-100RA	SHEET	1 OF 1
		SIZE	A3
		REV	A
		MATERIAL	SS304
		QTY	1
		DIMENSIONS	mm
		SCALE	1:1