

REV.	DESCRIPTION	DATE	DWN	APVD
A	1st edition release.	2024-02-20	Robin	Phoenix

1.6

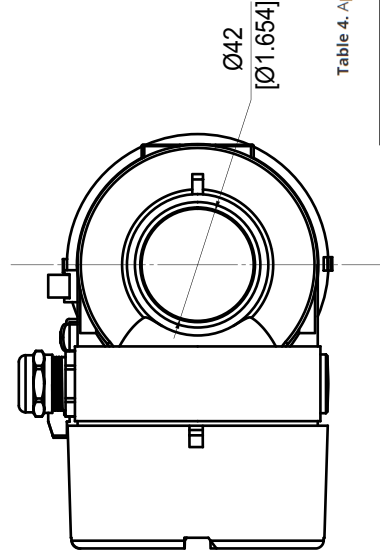
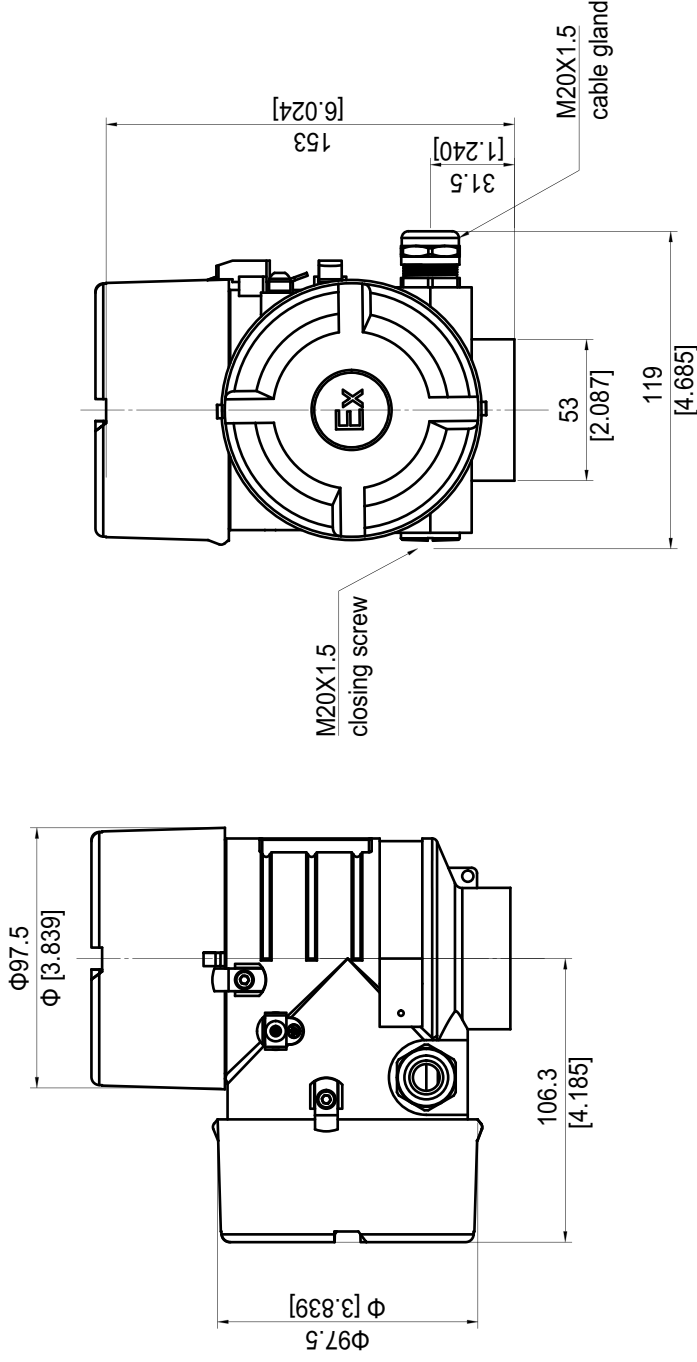


Table 4. Approximate Grade specifications for 304-grade stainless steel

Grade	UNS No	Old British BS	En	Euronorm	No	Name	Swedish SS	Japanese JIS
304	S30400	304S31	58E	1.4301	X5CrNi18-10	2332	SUS 304	
304L	S30403	304S11	-	1.4306	X2CrNi19-11	2352	SUS 304L	
304H	S30409	304S51	-	1.4948	X6CrNi18-11	-	-	

TITLE		双腔表壳/Double Chamber	
PROJECT /PRODUCT	ANL-1800	PART NAME	MATERIAL SS304
REF SCH	N/A	PART NO.	1800-062-100
REF PCB	N/A	DRG NO.	1800-062-100
FILE	1800-062-100RA	SHEET	1 OF 1
		SIZE	A3
		REV	A
		QTY	1
		DIMENSIONS	mm
		SCALE	1:1