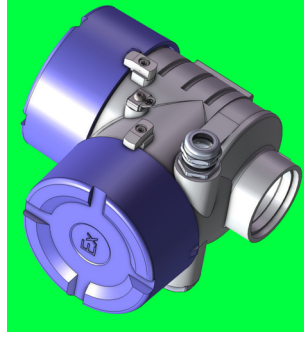
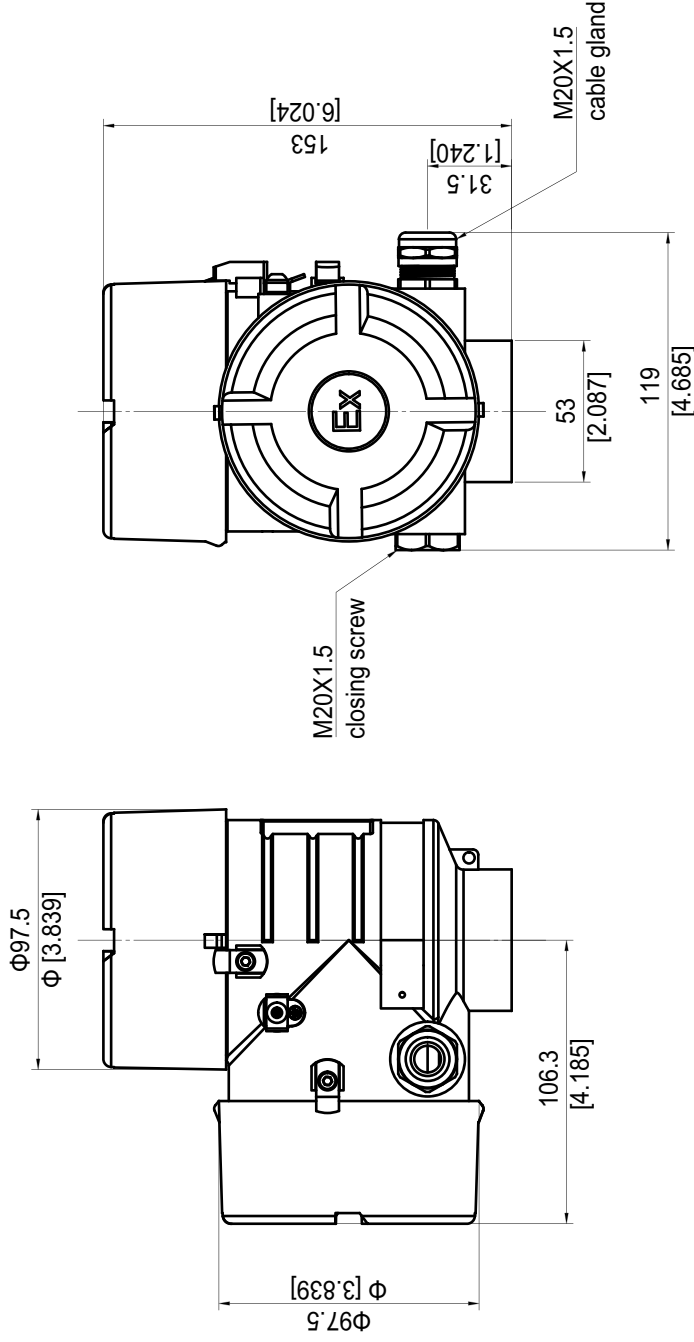
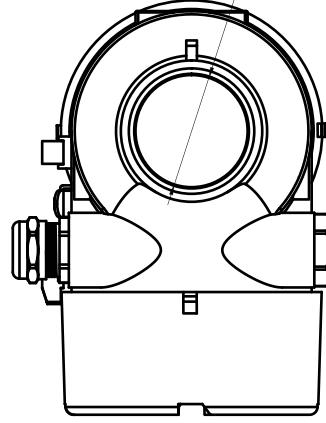


REV.	DESCRIPTION	DATE	DWN	APVD
A	1st edition release.	2024-02-20	Robin	Phoenix

1.6



$\Phi 42$ [Ø1.654] or M43X1.5



REV	ZALCISMin
PROJEC	ZL201
DESIGN	048 P1192-013
DATE	02/20/2024
FILE	003001010
SCALE	1:1
QTY	1
REF SCH	N/A
REF PCB	N/A
REF NO.	1800-062-000
FILE	1800-062-000RA
SIZE	A3
REV	A

TITLE

CHINASIMBA

双腔表壳/Double Chamber

PROJECT/PRODUCT	ANL-1800	PART NAME	MATERIAL	ZL201
REF SCH	N/A	PART NO.	QTY	1
REF PCB	N/A	DRG NO.	DIMENSIONS	(mm)
FILE	1800-062-000RA	SHEET	SCALE	1:1
		1 OF 1	REV	A
		SIZE		
		A3		