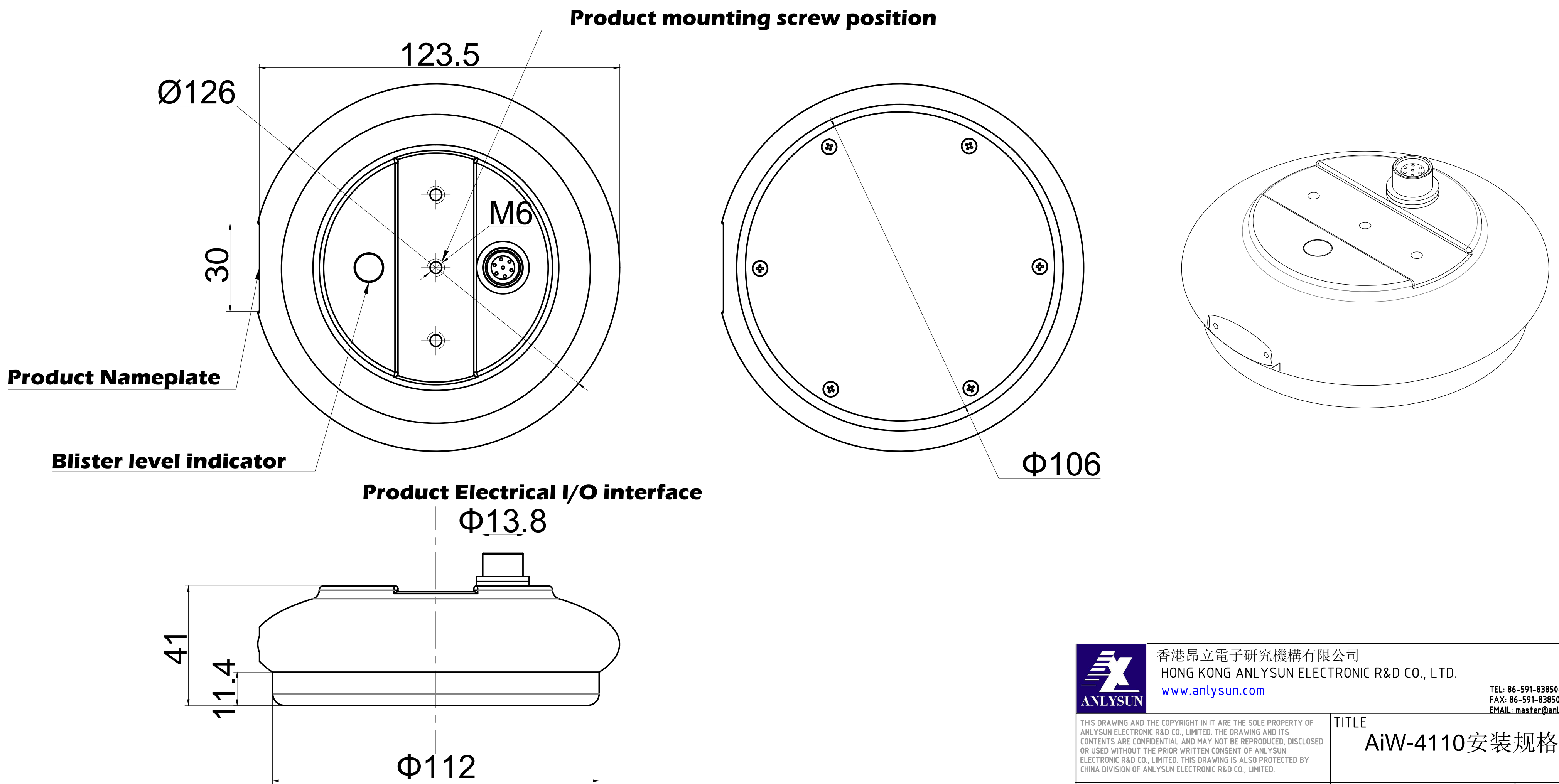


REV.	DESCRIPTION	DATE	DWN	APVD
A	1st edition release.	2018-02-21	Robin	Phoenix

1.6



 香港昂立電子研究機構有限公司
HONG KONG ANLYSUN ELECTRONIC R&D CO., LTD.
www.anlysun.com
TEL: 86-591-83850480
FAX: 86-591-83850481
EMAIL: master@anlysun.com

<small>THIS DRAWING AND THE COPYRIGHT IN IT ARE THE SOLE PROPERTY OF ANLYSUN ELECTRONIC R&D CO., LIMITED. THE DRAWING AND ITS CONTENTS ARE CONFIDENTIAL AND MAY NOT BE REPRODUCED, DISCLOSED OR USED WITHOUT THE PRIOR WRITTEN CONSENT OF ANLYSUN ELECTRONIC R&D CO., LIMITED. THIS DRAWING IS ALSO PROTECTED BY CHINA DIVISION OF ANLYSUN ELECTRONIC R&D CO., LIMITED.</small>		TITLE AiW-4110安装规格图	
PROJECT/PRODUCT ANL-2470	PART NAME TBD	MATERIAL	
REF SCH N/A	PART NO. 2470-112-000	QTY 1	
REF PCB N/A	DRG NO. 2470-112-000	DIMENSIONS mm	
FILE 2470-112-000RA	SHEET 1 OF 1	SIZE A2	SCALE 1:1
			REV A