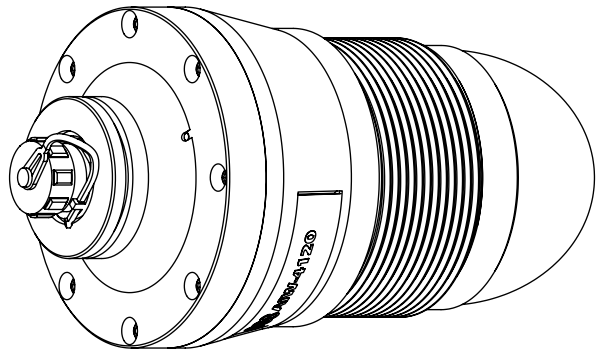
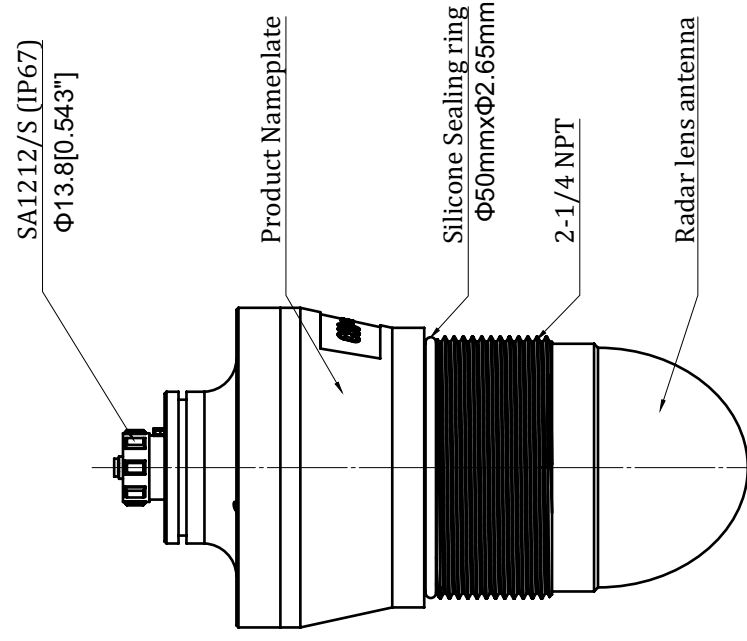
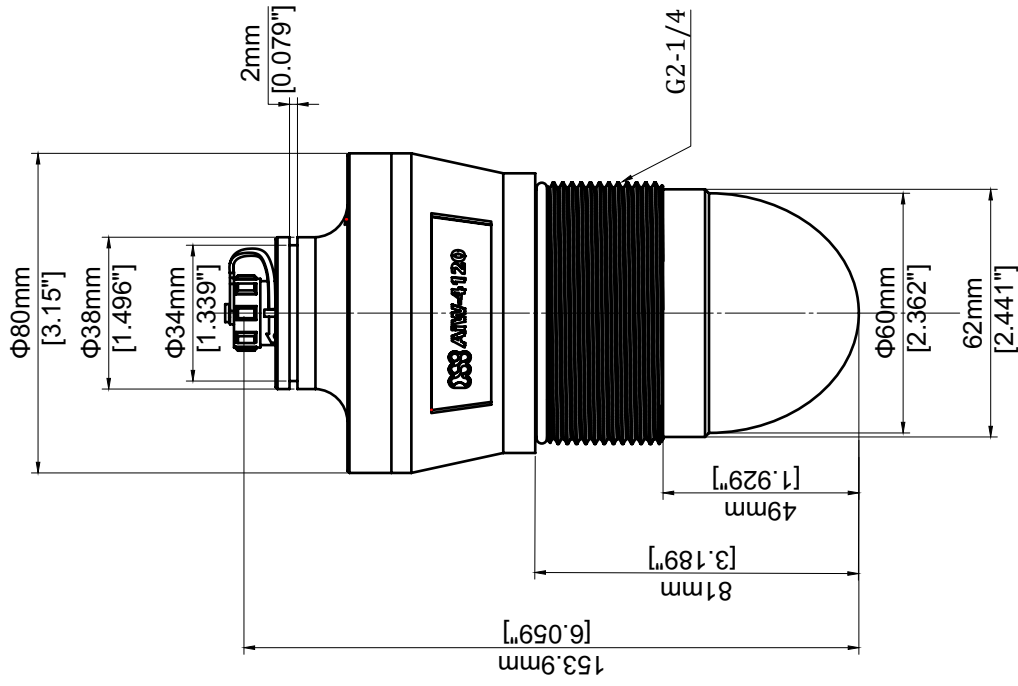


REV	DESCRIPTION	DATE	DWN	APVD
A	1st edition release.	2024-02-20	Robin	Phoenix



Product Electrical I/O interface

LED indicator



香港昂立電子研究機構有限公司  
HONG KONG ANLYSUN ELECTRONIC R&D CO., LTD.  
www.anlysun.com

TEL: 86-591-83850480  
FAX: 86-591-83850481  
EMAIL: anlysun@anlysun.com

THIS DRAWING AND THE COPYRIGHT IN IT ARE THE SOLE PROPERTY OF ANLYSUN ELECTRONIC R&D CO., LIMITED. THE DRAWING AND ITS CONTENTS ARE CONFIDENTIAL AND MAY NOT BE REPRODUCED, DISCLOSED OR USED WITHOUT THE PRIOR WRITTEN CONSENT OF ANLYSUN ELECTRONIC R&D CO., LIMITED. ALL RIGHTS ARE RESERVED AND WILL BE PROTECTED BY THE PATENT LAWS OF THE PEOPLE'S REPUBLIC OF CHINA. DIVISION OF ANLYSUN ELECTRONIC R&D CO., LIMITED.

TITLE		PART NAME		MATERIAL
AIW-4120MP-60		TBD		黑色POM
PROJECT/PRODUCT		PART NO.	QTY	DIMENSIONS
ANL-6279		6279-118-700	1	mm
REF SCH		DRG NO.	SCALE	
N/A		6279-118-700	1:1	
REF PCB		FILE	SHEET	REV
N/A		6279-118-700RA	1 OF 1	A3
FILE		SIZE	REV	
6279-118-700RA		A3	A	