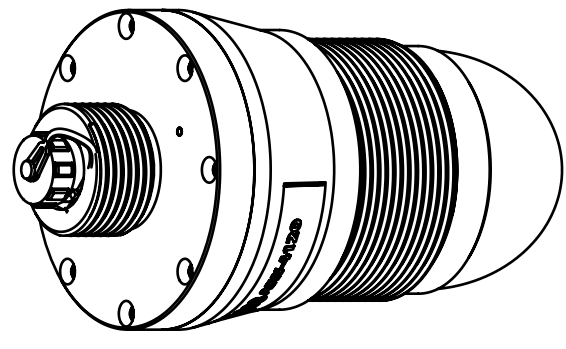
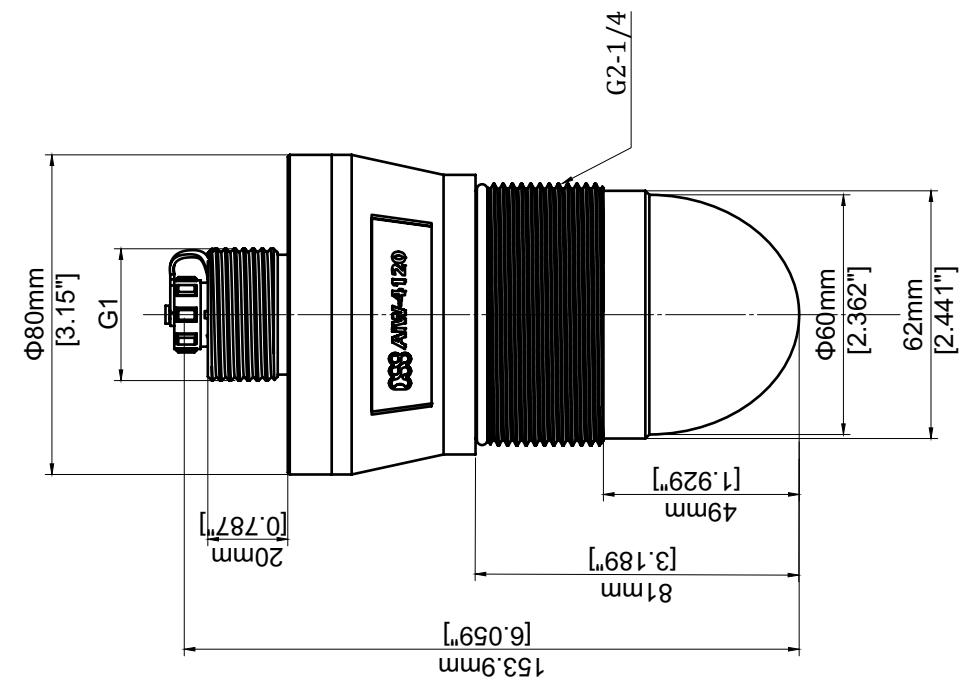
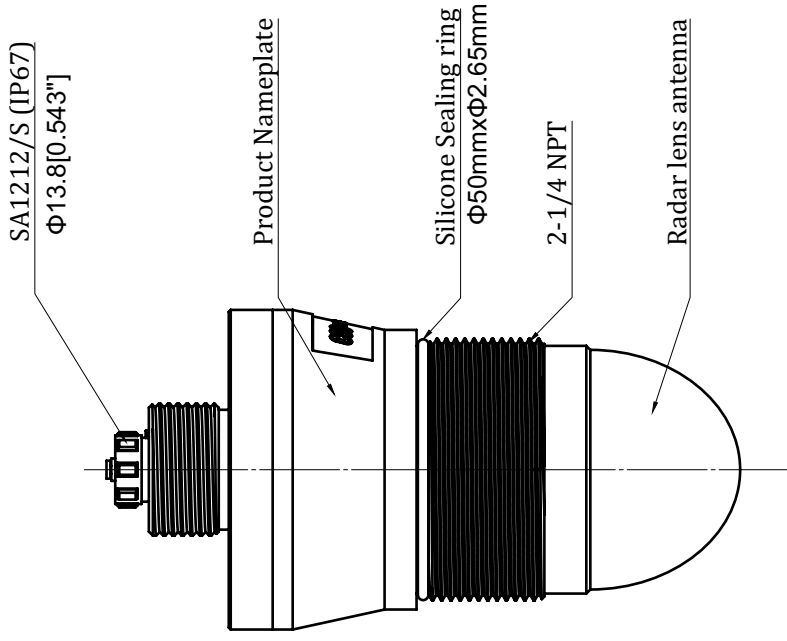
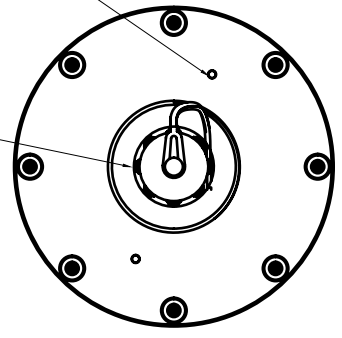


REV	DESCRIPTION	DATE	DWN	APVD
A	1st edition release.	2024-02-20	Robin	Phoenix

1.6



Product Electrical I/O interface



香港昂立電子研究機構有限公司  
HONG KONG ANLYSUN ELECTRONIC R&D CO., LTD.  
www.anlysun.com

TEL: 86-591-83850480  
FAX: 86-591-83850481  
EMAIL: anlysun@anlysun.com

THIS DRAWING AND THE COPYRIGHT IN IT ARE THE SOLE PROPERTY OF ANLYSUN ELECTRONIC R&D CO., LIMITED. THE DRAWING AND ITS CONTENTS ARE CONFIDENTIAL AND MAY NOT BE REPRODUCED, DISCLOSED OR USED WITHOUT THE PRIOR WRITTEN CONSENT OF ANLYSUN ELECTRONIC R&D CO., LIMITED. THIS DRAWING IS THE PROPERTY OF ANLYSUN ELECTRONIC R&D CO., LIMITED.

PROJECT/PRODUCT		ANL-6279	
REF SCH	N/A	PART NO.	6279-118-800
REF PCB	N/A	DRG NO.	6279-118-800
FILE	6279-118-800RA	SHEET	1 OF 1
TITLE		AIW-4120MP-60-G	
MATERIAL		黑色POM	
QTY		1	
DIMENSIONS		mm	
SCALE		1:1	
REV		A	