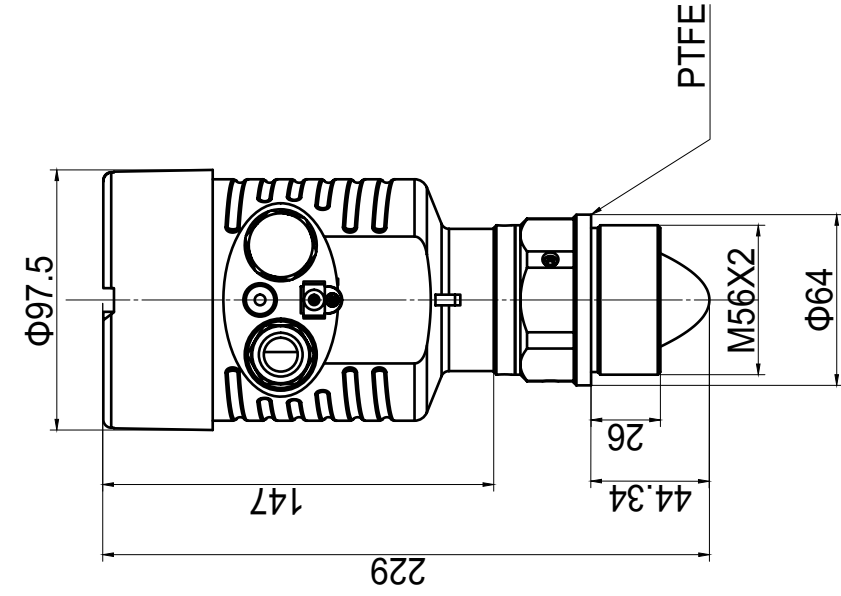
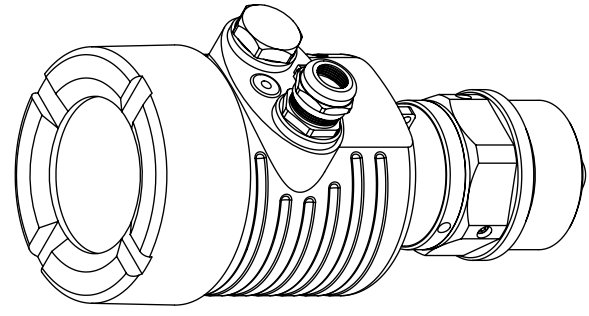


1.6

REV	DESCRIPTION	DATE	DWN	APVD
A	1st edition release.	2024-02-05	Robin	Phoenix



M20X1.5



香港品立電子研究機構有限公司  
 HONG KONG ANLYSUN ELECTRONIC R&D CO., L.TD.  
[www.anlysun.com](http://www.anlysun.com)

TEL: 86-591-83850480  
 FAX: 86-591-83850481  
 EMAIL: [anlysun@anlysun.com](mailto:anlysun@anlysun.com)

THIS DRAWING AND THE COPYRIGHT IN IT ARE THE SOLE PROPERTY OF ANLYSUN ELECTRONIC R&D CO., LIMITED. THE DRAWING AND ITS CONTENTS ARE CONFIDENTIAL AND MAY NOT BE REPRODUCED, DISCLOSED OR USED WITHOUT THE PRIOR WRITTEN CONSENT OF ANLYSUN ELECTRONIC R&D CO., LIMITED. THIS DRAWING IS ALSO PROTECTED BY CHINA PATENT LAW OF ANLYSUN ELECTRONIC R&D CO., LIMITED.

TITLE

Q5C-M56-安装规格图

PROJECT/PRODUCT	ANL-8270	PART NAME	TBD	MATERIAL	SS304
REF SCH	N/A	PART NO.	8270-240-200	QTY	1
REF PCB	N/A	DRG NO.	8270-240-200	DIMENSIONS	mm
FILE	8270-240-200RA	SCALE	1:1	REV	A
		SHEET	1 OF 1	SIZE	A3