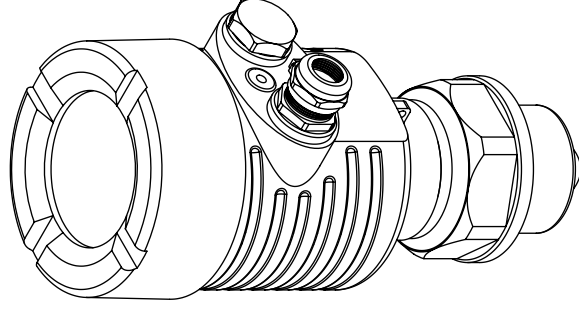
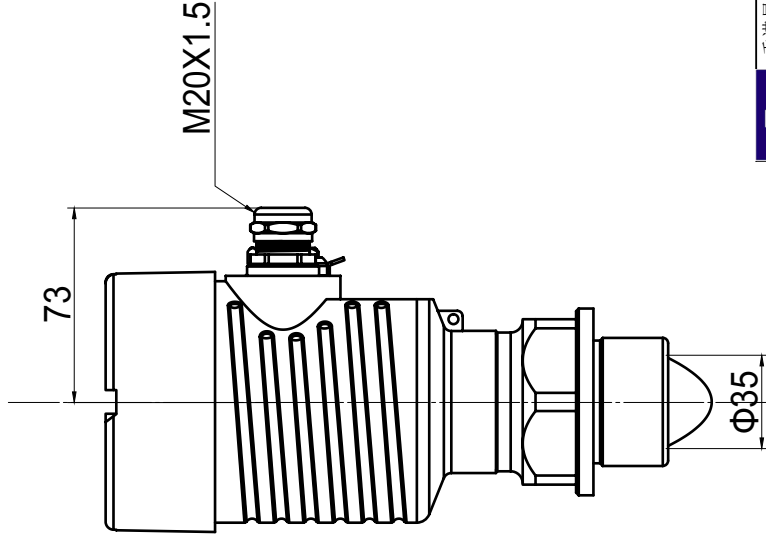
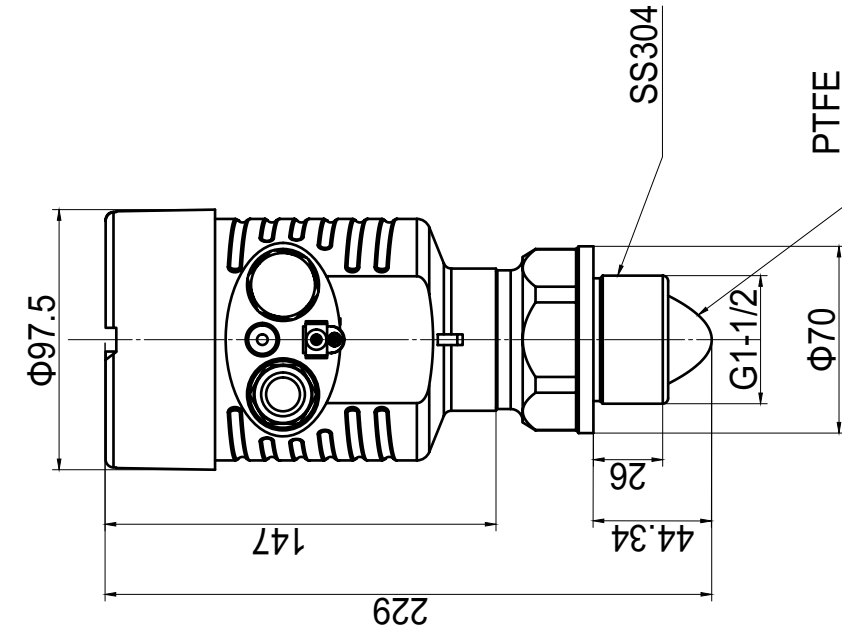


1.6

REV	DESCRIPTION	DATE	DWN	APVD
A	1st edition release.	2024-02-05	Robin	Phoenix



香港昂立電子研究機構有限公司
HONG KONG ANLYSUN ELECTRONIC R&D CO., LTD.
www.anlysun.com

TEL: 86-591-83850480
FAX: 86-591-83850481
EMAIL: anlysun@anlysun.com

THIS DRAWING AND THE COPYRIGHT IN IT ARE THE SOLE PROPERTY OF ANLYSUN ELECTRONIC R&D CO., LIMITED. THE DRAWING AND ITS CONTENTS ARE CONFIDENTIAL AND MAY NOT BE REPRODUCED, DISCLOSED OR USED WITHOUT THE PRIOR WRITTEN CONSENT OF ANLYSUN ELECTRONIC R&D CO., LIMITED. THIS DRAWING IS ALSO PROTECTED BY CHINA PATENT LAW OF ANLYSUN ELECTRONIC R&D CO., LIMITED.

TITLE

Q5C-G1.5-安装规格图

PROJECT/PRODUCT	ANL-8270	PART NAME	TBD	MATERIAL	SS304
REF SCH	N/A	PART NO.	8270-240-100	QTY	1
REF PCB	N/A	DRG NO.	8270-240-100	DIMENSIONS	mm
FILE	8270-240-100RA			SCALE	1:1
		SHEET	1 OF 1	REV	A
		SIZE	A3		