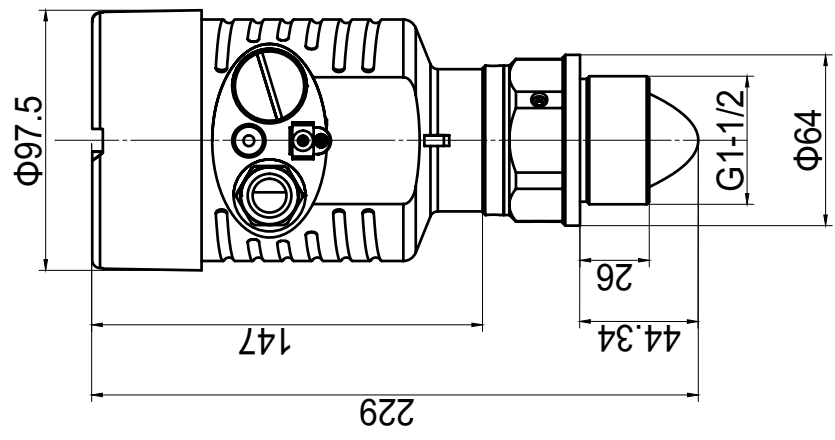
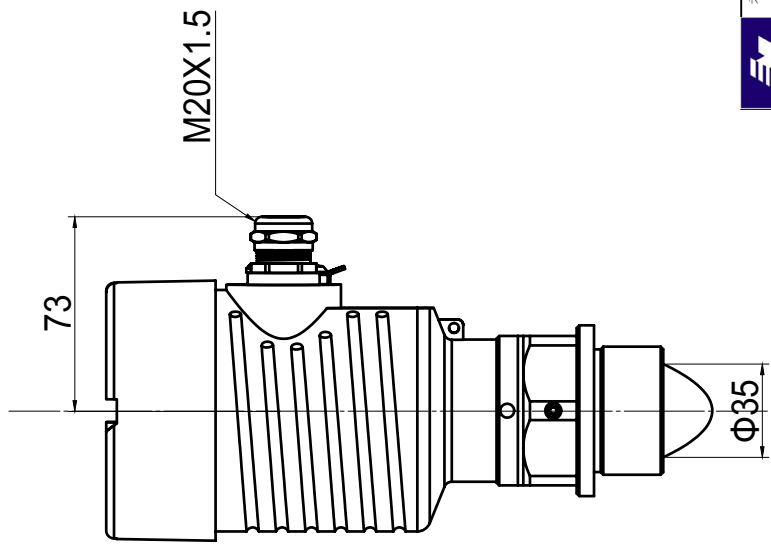
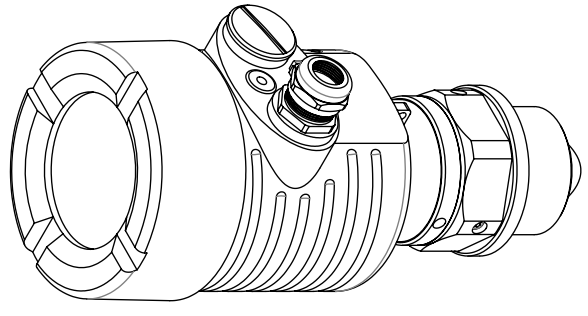


1.6

REV	DESCRIPTION	DATE	DWN	APVD
A	1st edition release.	2023-06-14	Robin	Phoenix



香港昂立電子研究機構有限公司
 HONG KONG ANLYSUN ELECTRONIC R&D CO., LTD.
 www.anlysun.com

TEL: 86-591-83850480
 FAX: 86-591-83850481
 EMAIL: anlysun@anlysun.com

THIS DRAWING AND THE COPYRIGHT HEREIN ARE THE SOLE PROPERTY OF ANLYSUN ELECTRONIC R&D CO., LIMITED. THE DRAWING AND ITS CONTENTS ARE CONFIDENTIAL AND MAY NOT BE REPRODUCED, DISCLOSED OR USED WITHOUT THE PRIOR WRITTEN CONSENT OF ANLYSUN ELECTRONIC R&D CO., LIMITED. THIS DRAWING IS ALSO PROTECTED BY CHINA PATENT LAW OF ANLYSUN ELECTRONIC R&D CO., LIMITED.

TITLE		Q5C-G1.5-安装规格图	
PROJECT/PRODUCT	ANL-8270	PART NAME	TBD
REF SCH	N/A	PART NO.	8270-240-000
REF PCB	N/A	DRG NO.	8270-240-000
FILE	8270-240-000RA	MATERIAL	SS304
		QTY	1
		DIMENSIONS	mm
		SCALE	1:1
		SHEET	1 OF 1
		SIZE	A3
		REV	A