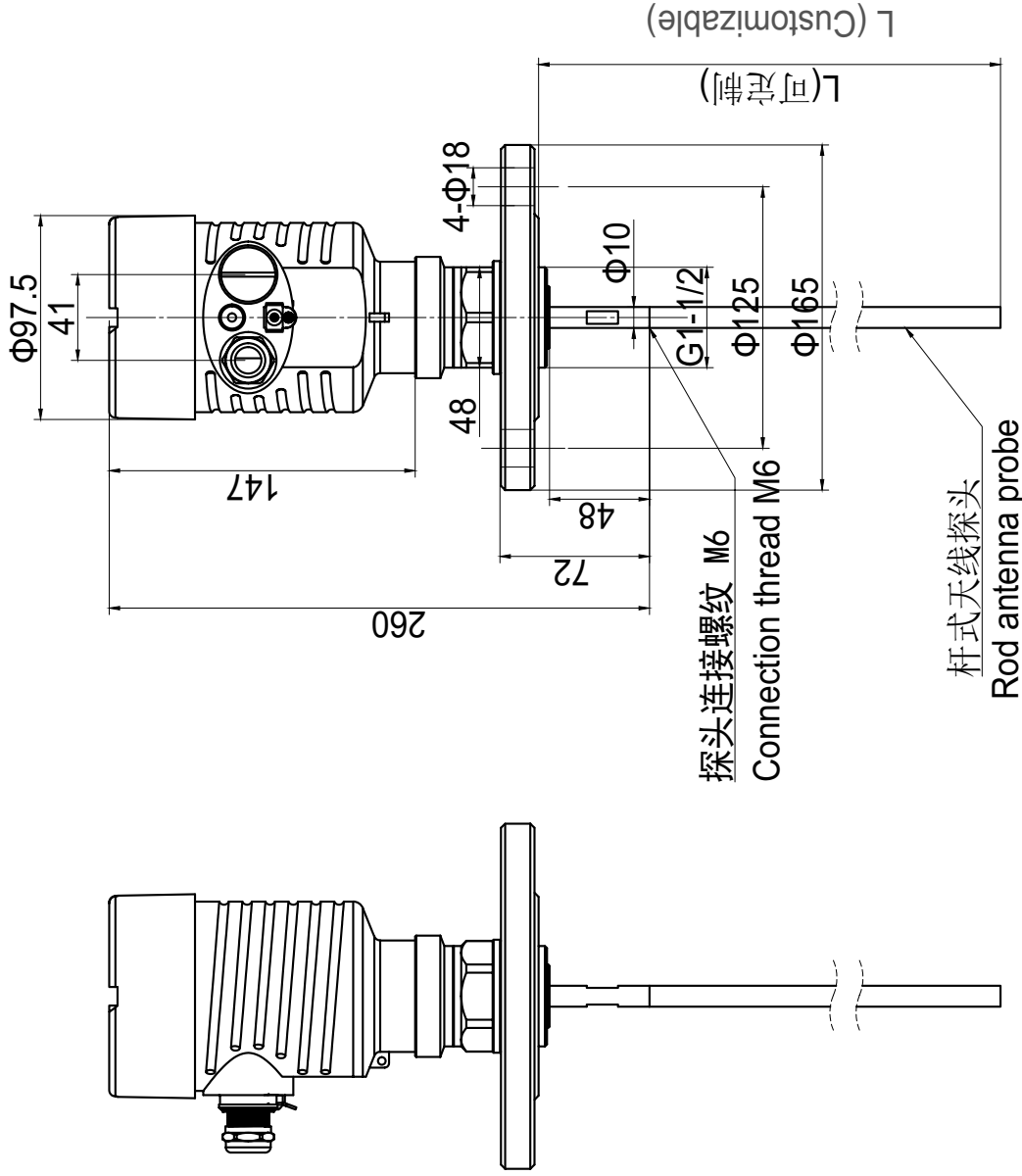


REV	DESCRIPTION	DATE	DWN	APVD
A	1st edition release.	2021-12-25	Robin	Phoenix



香港昂立電子研究機構有限公司
HONG KONG ANLYSUN ELECTRONIC R&D CO., L.TD.
www.anlysun.com

TEL: 86-591-83850480
FAX: 86-591-83850481
EMAIL: anlysun@anlysun.com

THIS DRAWING AND THE COPYRIGHT IN IT ARE THE SOLE PROPERTY OF ANLYSUN ELECTRONIC R&D CO., LIMITED. THE DRAWING AND ITS CONTENTS ARE CONFIDENTIAL AND MAY NOT BE REPRODUCED, DISCLOSED OR USED WITHOUT THE PRIOR WRITTEN CONSENT OF ANLYSUN ELECTRONIC R&D CO., LIMITED. HIS DRAWING IS ALSO PROTECTED BY CHINA PATENT LAW AND OTHER LAWS AND REGULATIONS OF THE PEOPLE'S REPUBLIC OF CHINA.

PROJECT / PRODUCT		PART NAME		MATERIAL
ANL-3290		TBD		SS304
REF SCH	N/A	PART NO.	3290-200-000	QTY
REF PCB	N/A	DRG NO.	3290-200-000	1
FILE	3290-200-000RA	SIZE		DIMENSIONS
		1 OF 1		mm
		A3		SCALE
		REV		1:1
		A		A

TITLE
杆式安装规格图