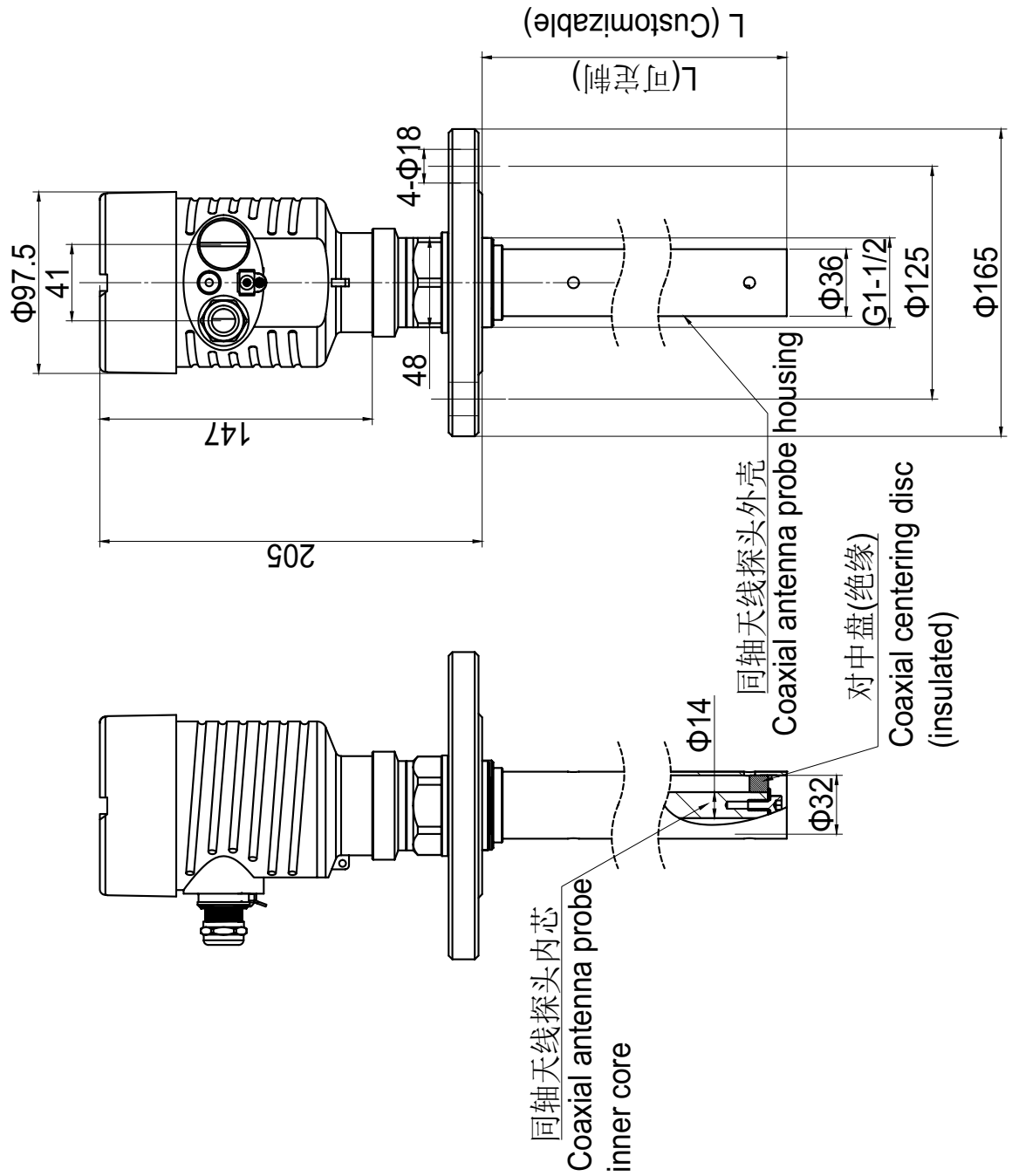


REV	DESCRIPTION	DATE	DWN	APVD
A	1st edition release.	2021-12-25	Robin	Phoenix



		香港昂立電子研究機構有限公司 HONG KONG ANLYSUN ELECTRONIC R&D CO., L.TD. TEL: 86-591-83850480 FAX: 86-591-83850481 EMAIL: anlysun@anlysun.com www.anlysun.com	
THIS DRAWING AND THE COPYRIGHT IN IT ARE THE SOLE PROPERTY OF ANLYSUN ELECTRONIC R&D CO., LIMITED. THE DRAWING AND ITS CONTENTS ARE CONFIDENTIAL AND MAY NOT BE REPRODUCED, DISCLOSED OR USED WITHOUT THE PRIOR WRITTEN CONSENT OF ANLYSUN ELECTRONIC R&D CO., LIMITED. THIS DRAWING IS ALSO PROTECTED BY CHINA PATENT LAW AND CO. LIMITED.		TITLE 同轴安装规格图	
PROJECT / PRODUCT	ANL-3290	PART NAME	TBD
REF SCH	N/A	PART NO.	3290-200-200
REF PCB	N/A	DRG NO.	3290-200-200
FILE	3290-200-200RA	SHEET	1 OF 1
		SIZE	A3
		REV	A
		MATERIAL	SS304
		QTY	1
		DIMENSIONS	mm
		SCALE	1:1