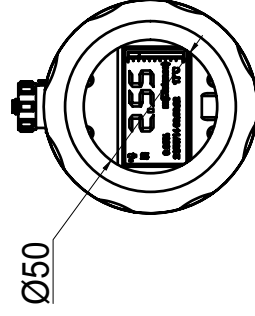
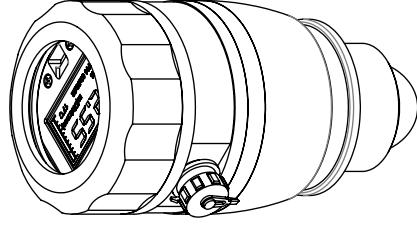
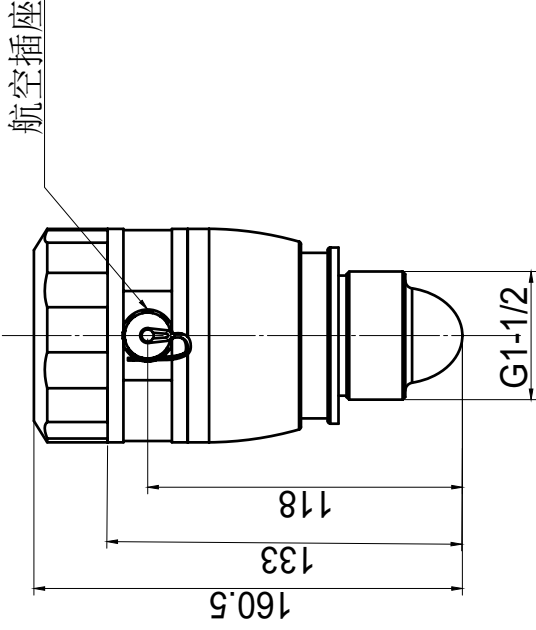
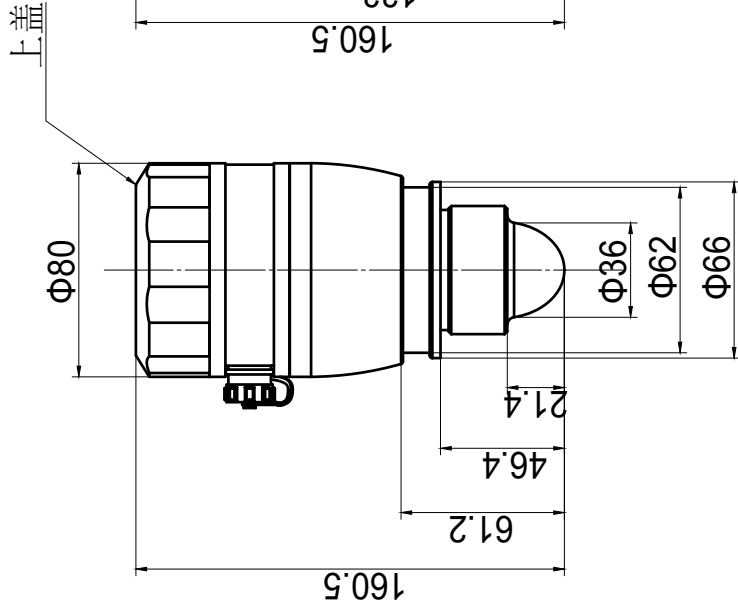


REV	DESCRIPTION	DATE	DWN	APVD
A	1st edition release.	2023-03-03	Robin	Phoenix



香港昂立電子研究機構有限公司
HONG KONG ANLYSUN ELECTRONIC R&D CO., LTD.
www.anlysun.com

TEL: 86-591-83850480
FAX: 86-591-83850481
EMAIL: anlysun@anlysun.com

THIS DRAWING AND THE CONTENTS HEREIN ARE THE SOLE PROPERTY OF ANLYSUN ELECTRONIC R&D CO., LIMITED. THE DRAWING AND ITS CONTENTS ARE CONFIDENTIAL AND MAY NOT BE REPRODUCED, DISCLOSED OR USED WITHOUT THE PRIOR WRITTEN CONSENT OF ANLYSUN ELECTRONIC R&D CO., LIMITED. THIS DRAWING IS ALSO PROTECTED BY CHINA PATENT OF ANLYSUN ELECTRONIC R&D CO., LIMITED.

TITLE

AiW-4120MG 安装规格图

PROJECT/PRODUCT	ANL-6279		PART NAME	TBD	MATERIAL	黑色POM
REF SCH	N/A		PART NO.	6279-318-000	QTY	1
REF PCB	N/A		DRG NO.	6279-318-000	DIMENSIONS	mm
FILE	6279-318-000RA		SHEET	1 OF 1	SCALE	1:1
			SIZE	A3	REV	A