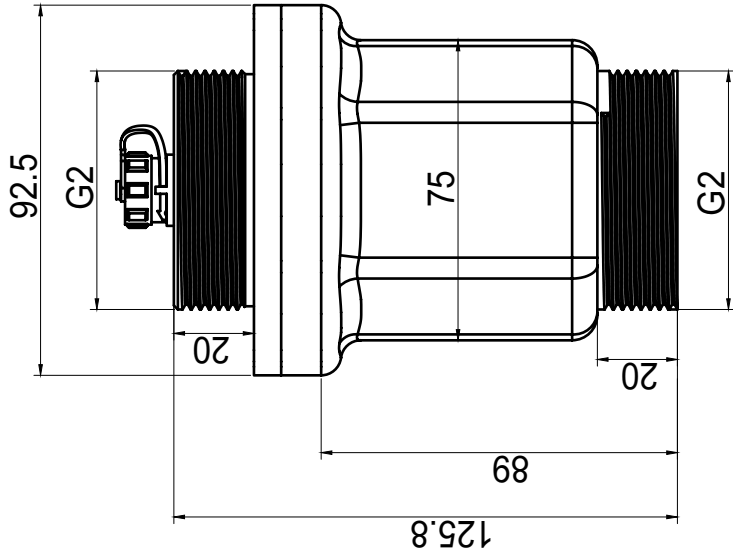
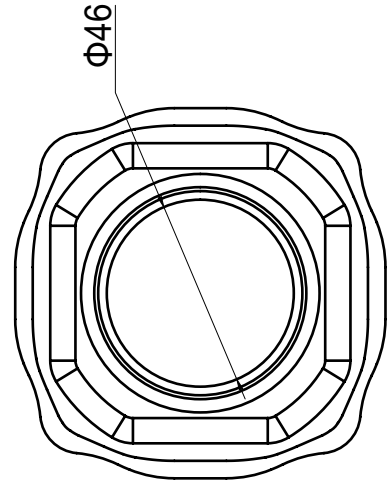
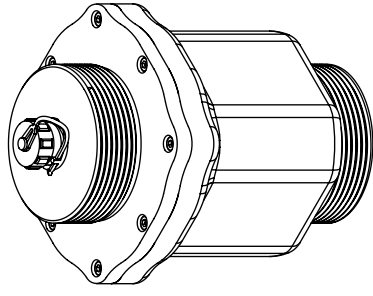
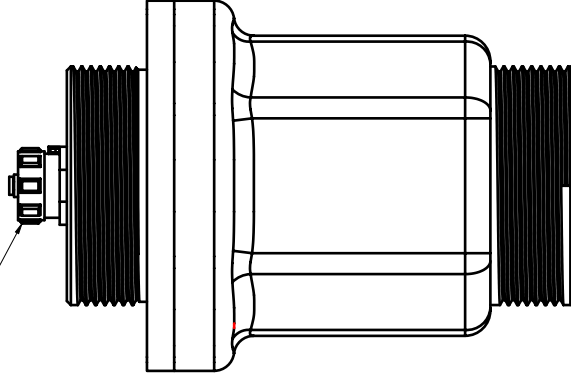


| REV | DESCRIPTION | DATE | DWN | APVD |
|-----|----------------------|------------|-------|---------|
| A | 1st edition release. | 2018-01-11 | Robin | Phoenix |
| | | | | |
| | | | | |

1.6



航空插



香港品立電子研究機構有限公司
HONG KONG ANLYSUN ELECTRONIC R&D CO., LTD.
www.anlysun.com

TEL: 86-591-83850480
FAX: 86-591-83850481
EMAIL: anlysun@anlysun.com

THIS DRAWING AND THE COPYRIGHT IN IT ARE THE SOLE PROPERTY OF ANLYSUN ELECTRONIC R&D CO., LIMITED. THE DRAWING AND ITS CONTENTS ARE CONFIDENTIAL AND MAY NOT BE REPRODUCED, DISCLOSED OR USED WITHOUT THE PRIOR WRITTEN CONSENT OF ANLYSUN ELECTRONIC R&D CO., LIMITED. THIS DRAWING IS ALSO PROTECTED BY CHINA PATENT LAW OF ANLYSUN ELECTRONIC R&D CO., LIMITED.

TITLE

ANW-3648 安装规格图

| | | | | | |
|-------------------|----------------|-----------|--------------|------------|------|
| PROJECT / PRODUCT | ANL-5692 | PART NAME | TBD | MATERIAL | PVDF |
| REF SCH | N/A | PART NO. | 5692-046-000 | QTY | 1 |
| REF PCB | N/A | DRG NO. | 5692-046-000 | DIMENSIONS | mm |
| FILE | 5692-046-000RA | SCALE | 1:1 | REV | A |
| | | SHEET | 1 OF 1 | SIZE | A3 |