

ANL-9127Q

120GHZ FMCW RADAR LEVEL MEASUREMENT

Feature

- High accuracy, non-contact radar level measurement
- The THz band industrial radar, extremely narrow beam, strong penetrating ability, strong penetrating ability and strong reliability
- High accuracy, high reliability, high cost performance
- 4-20mA current output/relay
- HART/MODBUS/PROFIBUS Communication
- 180x60 LCD display, Green backlight



Application

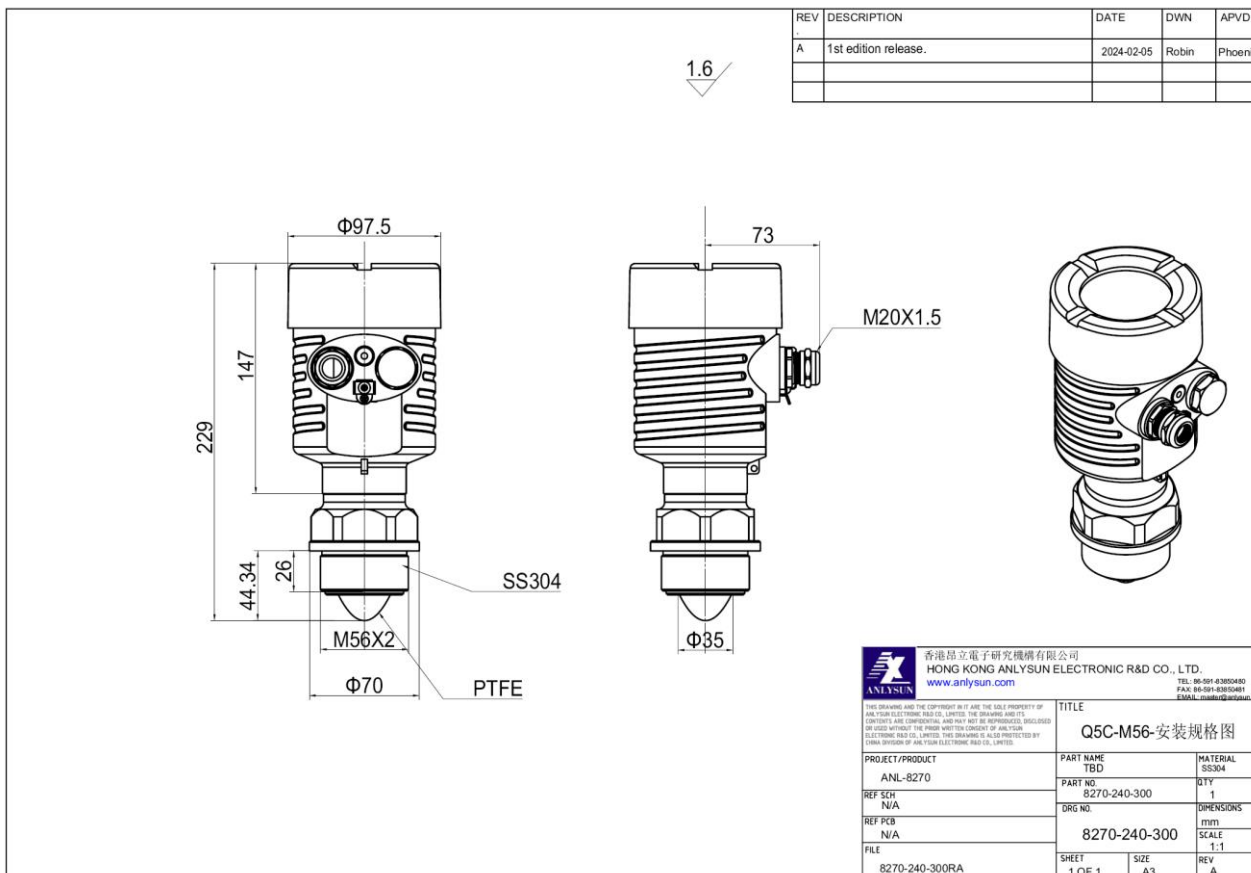
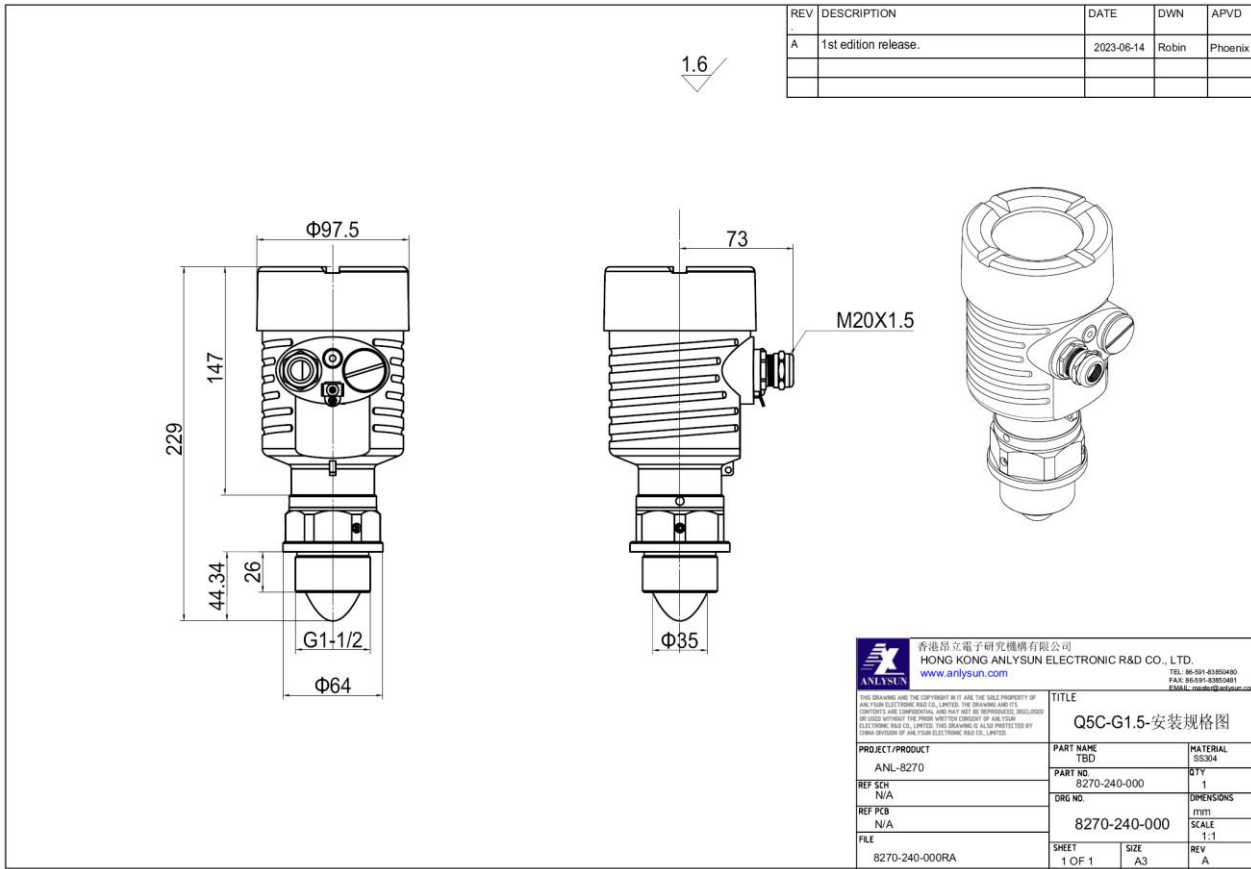
- It's applicable to high temperature/ pressure reaction kettle, large storage tank etc.
- Applicable to high-precision metering level measurement, perspective measurement.
- It's suitable for special process such as strong dust, steam and other extreme conditions, such as stirring, heating rod, etc.

Specification

Frequency	120GHz, scanning frequency width 10GHz
Range	0.1~50M/100M/150M
Resolution	0.01mm
Accuracy	±1mm(Range 50m), ±2mm
Beam angle	4.5°
Size	253mm x 97mm x 97mm (without flange)
Fitting	G1-1/2 or M56x2
Antenna Type	LENS, PTFE / PEEK
Signal Output	1: 4-20ma output (DAC instantaneous current conversion output)...optional 2: HART/MODBUS/PROFIBUS communication.....optional
Communication	4-20mA/HART/MODBUS/PROFIBUS (Depending on the sequence of specific models)
Failure Output	3.8mA, 20mA and 20.5mA (optional)
Ambient Temp	-40...85°C
Humidity	≤95%RH
Pressure	-0.1 ... 1MPa; -1...5 MPa (Installation of quartz glass isolation)
Power Supply	2-wire system 16 ... 42VDC
Adjustment	Setup software/key configuration/mobile APP configuration/tank side table configuration 160x80 LCD color display/4 key Bluetooth
Casing	aluminum alloy or steel
Connected Method	M20x1.5 (φ 5.9mm)
Explosion-proof	Exd /Exia IIC T6
IP Rating	IP68

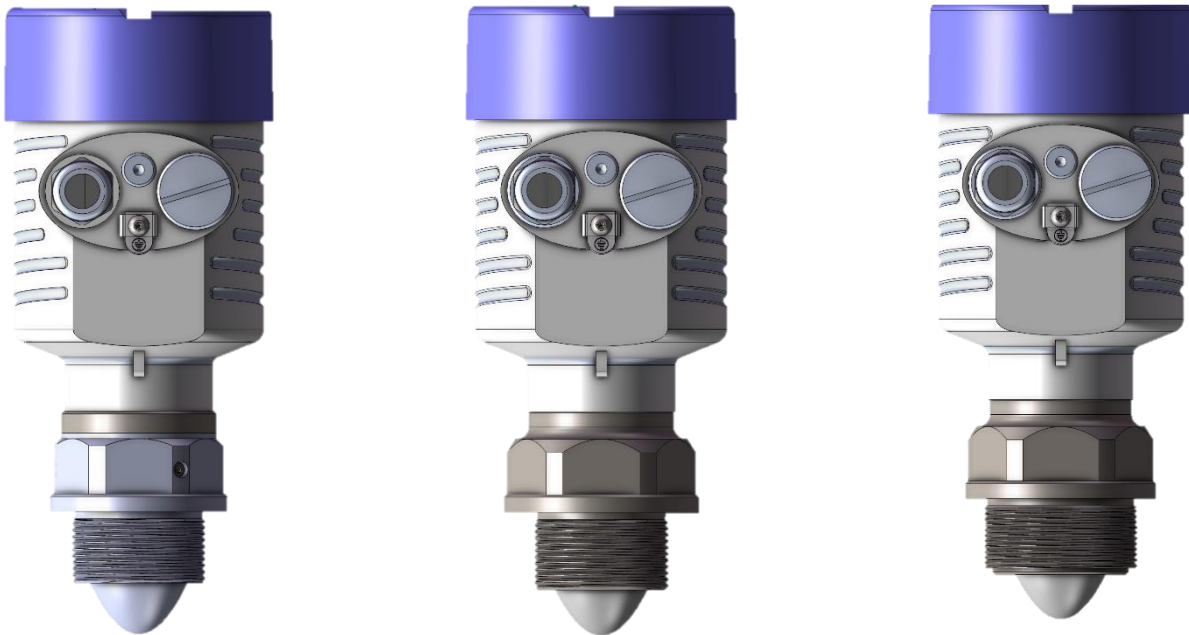
Note: ChinaSimba Electronic Co., Ltd is continue to improve and upgrade its products and services, thus, the file information will be covered by changing, without prior notice, nor as promised Chinasimba Electronic Co., Ltd. In addition, the product user manual already includes safe use of warnings. Therefore, if there is any misuse or cause of any event, ChinaSimba Electronics Co., Ltd will not take any responsibility. ChinaSimba Electronic Co., Ltd. hereby guarantees that its products are not defective in materials and workmanship and are in complete conformity with the above disclaimer.

Dimension Drawing



SELECTION AND ORDERING CODE

ANL-9127Q	1	2	3	4	5	6	7	8	NOTE
	B								4-20MA
	H								4-20MA WITH HART
	P								PROFIBUS PA
	M								RS485 WITH MODBUS
		AC							220ACV
		DC							24DCV
			MXX						PRODUCT RANGE (M) = XX
				Y					WITH RELAY ALARM
				N					NO
					B				THREADED WITH G1-1/2
					M				THREADED WITH M56X2
					XXXX				OTHER CUSTOM FLANGES : XXXX
						PE			PEEK ANT
						PT			PTFE ANT
						CU			CUSTOMER-SPECIFIC
							AT		ANTI-CORROSION
							NO		REGULAR
								LXXX	HEAT-RESISTING WAVELINE LENGTH: XXXX CM
								XXXX	FLANGE MODEL
ANL-9127Q-B-DC-M50-N-B-PT-ND-L0-0									OUTPUT: 4-20MA POWER: 24DCV RANGE: 50M FLANGE: N/G G1-1/2, PTFE ANTENNA



For more information contact your regional sales representative.

sales@chinasimba.com

<https://www.chinasimba.com/>

CHINASIMBA
ANLYSUN

NOTE: For this Doc., Chinasimba Electronic Co., Ltd is continue to improve and upgrade its products and services, thus, the file information will be covered by changing, without prior notice, nor as promised Chinasimba Electronic Co., Ltd. In addition, the product user manual already includes safe use of warnings. Therefore, if there is any misuse or cause of any event, Chinasimba Electronics Co., Ltd will not take any responsibility.

Chinasimba Electronic Co., Ltd. hereby guarantees that its products are not defective in materials and workmanship and are in complete conformity with the above disclaimer.