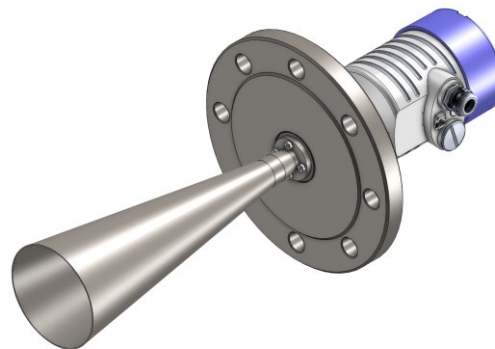


ANL-8260_{S3/AX/AZ}**RADAR SOLID LEVEL TRANSMITTER****Feature**

- High reliability non-contact radar solid matter level transmitter
- Easy to install with best accuracy of $\pm 5\text{mm}$
- Strong ability to penetrate dust and strong reliability
- Also suitable for measuring liquids in foamy and stirred forms
- 4-20mA current output or/and with HART/MODBUS/Profibus
- Graphical display and with Temperature sensor display
- False echo storage function to select only true echo for accurate level measurement

**Application**

- It's applicable to our Customers by offering reliable, cost effective and customized solutions on solid level measurement.
- Applicable to precision requirements liquid level measurement, and need fast start or/meanwhile low power consumption level measurement.
- It's suitable for special process such as raw liquid, sewage, and suit for applicable to River, Lakes, Drains, Sewer, etc.

Product Specification

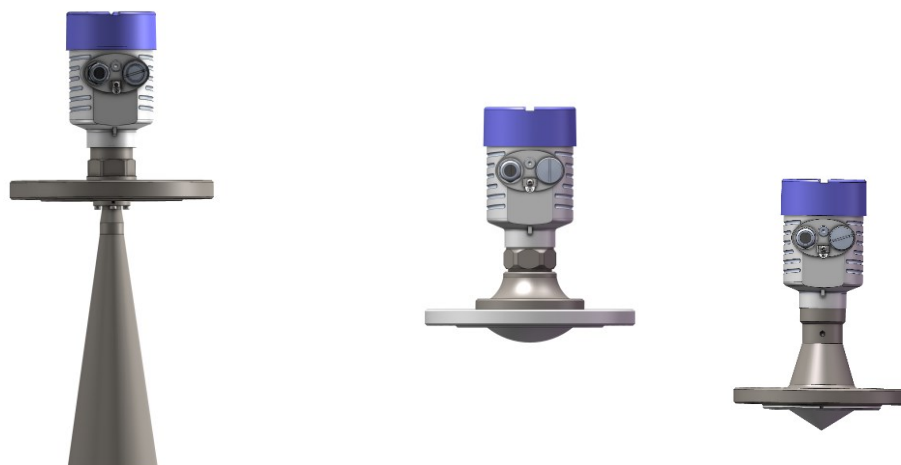
Frequency	26GHz Pulse level radar
Range	30m/70m
Display Resolution	0.5mm
Precision	$\pm 5\text{mm}$
Beam angle	8°
Antenna Type	Horn $\phi > 76\text{mm}$ or lens (corrosive)
Signal Output	- 4-20mA+ HART7 - or Profibus - or RS485
Communication	4-20mA/HART/MODBUS/PROFIBUS
Failure Output	22mA and 20.5mA (optional)
Process temperature	-70 ... +250°C (Depends on antenna form and process connection)
Process Pressure	-1.0 ... 4.0 MPa (Depends on antenna form and process connection)
Power Supply	16~40VDC (Ripple allowed: <100Hz, $U_{ss} > 1\text{V}$; 100Hz@100KHz, $U_{ss} < 10\text{mV}$)
Adjustment	Setup software/key configuration/mobile APP configuration/tank side table configuration Graphical 160*80 LCD display
Chamber	Signal/Double Aluminum Alloy or SS306(optional)
Connected Method	>DN80 (Depends on antenna form and process connection)
IP Rating	IP67
Approvals	Exia + Exd or No-approvals

Note:

Chinasimba Co. continuing commitment to improve and upgrade its products and services, and thus, this cover information that will constantly change, without prior notice; nor can it be regarded as the commitments made by Chinasimba. In addition, the user manual has included the safety usage warnings. Hence, if there is any misuse and resulting in any incidents, Chinasimba will not accept any responsibility due to this.

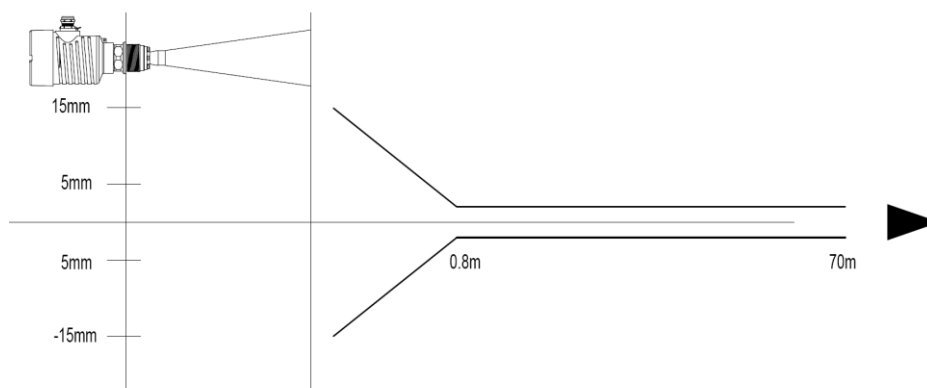
Chinasimba hereby guarantees its product does not exit from defects in materials and workmanship, and fully consistent with the statements in the above disclaimer of warranty.

Product Overview

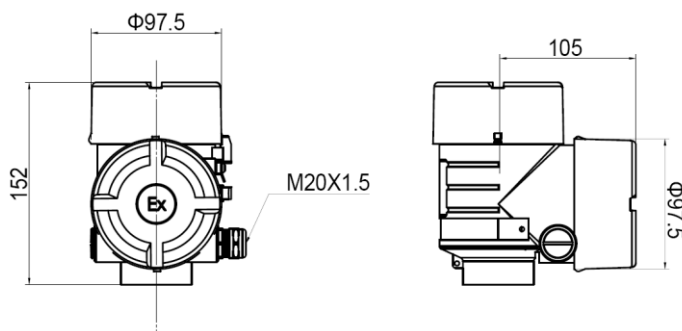
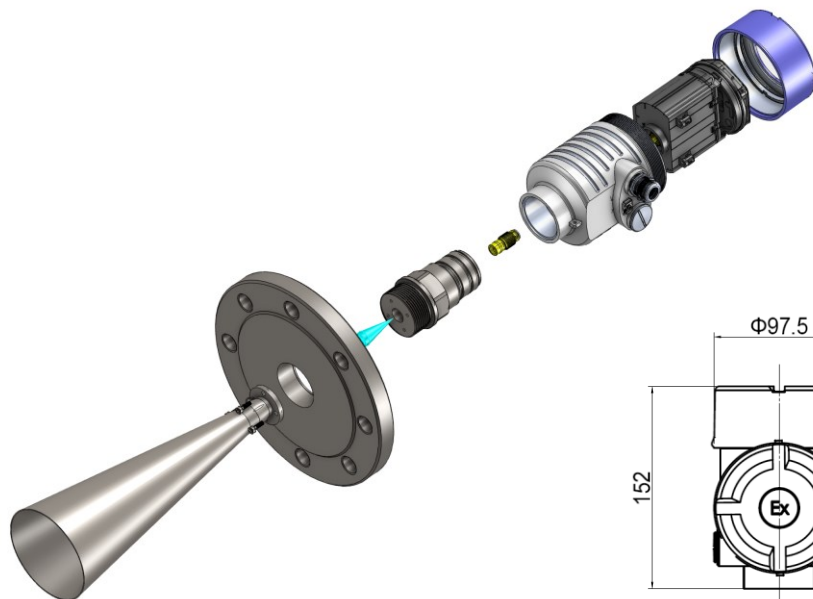


Model	ANL-8260S3	ANL-8260S4	ANL-8260AX	ANL-8260AZ
Application	Solid/Liquid Level measurement, preferably for corrosive media acidic application with moderate fumes, precision requirements			
Max. Range	30M	70M	70M	30M
Accuracy	≤±5mm	≤±5mm	≤±5mm	≤±5mm
Process Connection	Flange SS304	Flange SS304	Flange PTFE	Flange SS304
Min. Flange Size	> DN80	> DN100	> DN80	> DN80
Antenna Material	SS304 / φ 76mm horn	SS304 / φ 96mm horn	PTFE for corrosive	PTFE for corrosive
Process Temperature	-60 ~ 150°C	-60 ~ 230°C	-50 ~ 120°C	-50 ~ 150°C
Process Pressure	-1.0 ~ 4.0 MPa	-1.0 ~ 4.0 MPa	-0.8 ~ 1.0 MPa	-0.8 ~ 1.5 MPa
Operating Frequency	25.55~26GHz	25.55~26GHz	25.55~26GHz	25.55~26GHz
Output	4-20mA+HART 2wire	4-20mA+HART 2wire	4-20mA+HART 2wire	4-20mA+HART 2wire
Option function	Modbus/PROFIBUS	HART/Modbus/PROFIBUS	HART/Modbus/PROFIBUS	HART/Modbus/PROFIBUS
Blind Zone	300mm	450mm	400mm	400mm

ANL™ Product Precision vs Distance Map



ANL™ Product assembly structure explosion diagram



Ordering Code

ANL-B26083/84	1	2	3	4	5	NOTE
S						SINGLE CHAMBER
D						DOUBLE CHAMBER
		P				PROFIBUS PA
		H				4-20MA WITH HART
		R				RS485 WITH MODBUS
			N			NO NEED LCD DISPLAY MODULE
			D			WITH LCD DISPLAY MODULE
				N		NO BLUETOOTH
				B		WITH BLUETOOTH
					DN80	DN80 PN SERIES
					DN100	DN100 PN SERIES
					XXX	CUSTOMER-SPECIFIED FLANGE

Sample :

ANL-B26083 -S-H-D-B-DN80	RANGE 30M, 4-20MA/HART, LCD DISPLY, WITH BLUETOOTH, DN80 FLANGE
--------------------------	---

ANL-B260AX ANTI - CORROSION	1	2	3	4	5	NOTE
S						SINGLE CHAMBER
D						DOUBLE CHAMBER
		P				PROFIBUS PA
		H				4-20MA WITH HART
		R				RS485 WITH MODBUS
			N			NO NEED LCD DISPLAY MODULE
			D			WITH LCD DISPLAY MODULE
				N		NO BLUETOOTH
				B		WITH BLUETOOTH
					DN80	DN80 PN SERIES
					DN100	DN100 PN SERIES
					DUXXX	CUSTOMER-SPECIFIED FLANGE

Sample :

ANL-B260AX -S-H-D-B-DN80	RANGE 70M, 4-20MA/HART, LCD DISPLY, WITH BLUETOOTH, DN80 FLANGE
--------------------------	---

ANL-B260AZ ANTI - CORROSION	1	2	3	4	5	NOTE
S						SINGLE CHAMBER
D						DOUBLE CHAMBER
		P				PROFIBUS PA
		H				4-20MA WITH HART
		R				RS485 WITH MODBUS
			N			NO NEED LCD DISPLAY MODULE
			D			WITH LCD DISPLAY MODULE
				N		NO BLUETOOTH
				B		WITH BLUETOOTH
					DN80	DN80 PN SERIES
					DN100	DN100 PN SERIES
					DUXXX	CUSTOMER-SPECIFIED FLANGE

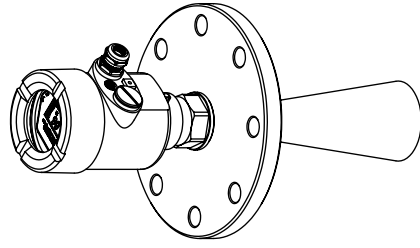
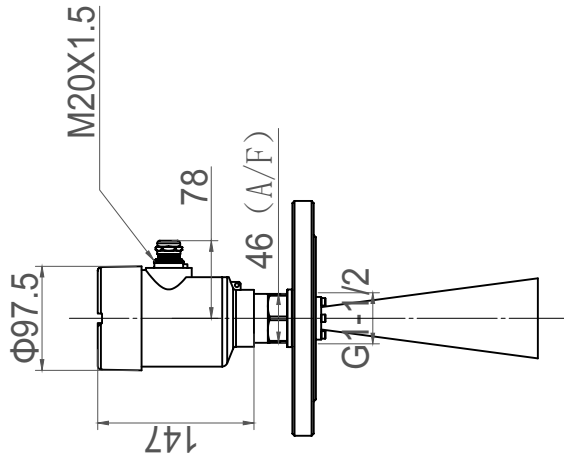
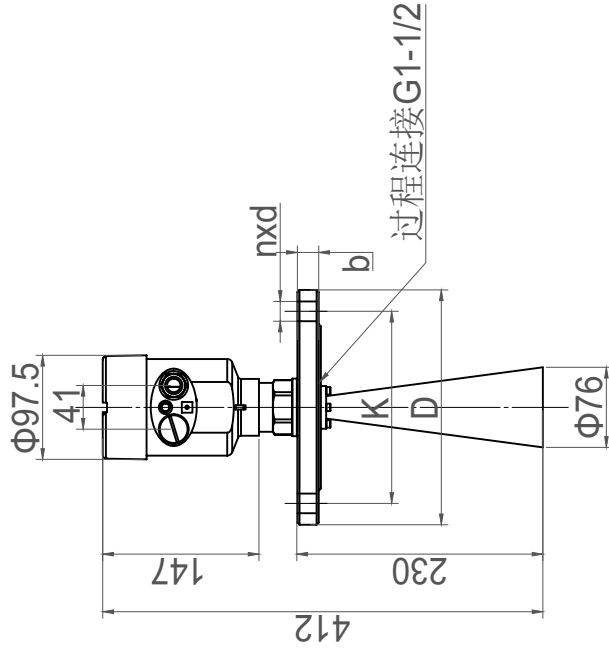
Sample :

ANL-B260AZ -S-H-D-B-DN80	RANGE 30M, 4-20MA/HART, LCD DISPLY, WITH BLUETOOTH, DN80 FLANGE
--------------------------	---

Mechanical Dimension Drawing:



REV	DESCRIPTION	DATE	DWN	APVD
A	1st edition release.	2019-07-02	Robin	Phoenix



香港品立電子研究機構有限公司
 HONG KONG ANLYSUN ELECTRONIC R&D CO., L.TD.
 TEL: 86-591-83850480
 FAX: 86-591-83850481
 EMAIL: anlysun@anlysun.com
 www.anlysun.com

THIS DRAWING AND THE COPYRIGHT HEREIN ARE THE SOLE PROPERTY OF ANLYSUN ELECTRONIC R&D CO., LIMITED. THE DRAWING AND ITS CONTENTS ARE CONFIDENTIAL AND MAY NOT BE REPRODUCED, DISCLOSED OR USED WITHOUT THE PRIOR WRITTEN CONSENT OF ANLYSUN ELECTRONIC R&D CO., LIMITED. THIS DRAWING IS ALSO PROTECTED BY CHINA PATENT LAW OF ANLYSUN ELECTRONIC R&D CO., LIMITED.

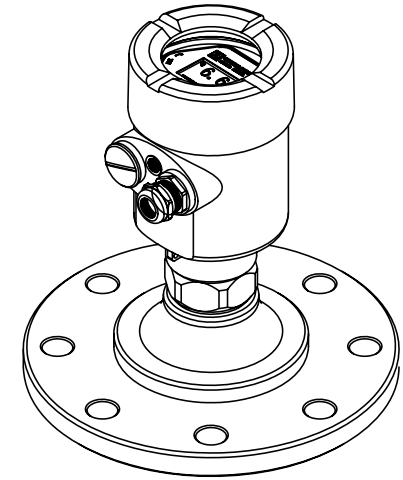
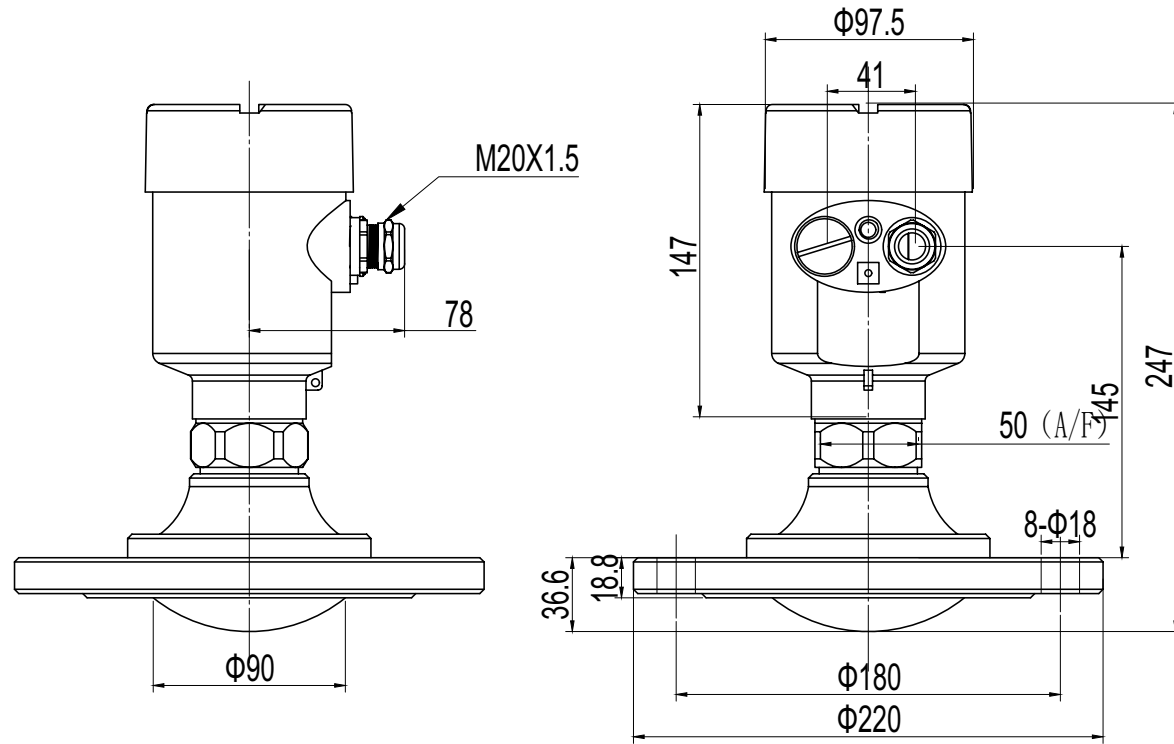
PROJECT / PRODUCT		TITLE	
ANL-1800		PART NAME	TBD
REF SCH	N/A	PART NO.	1800-055-100
REF PCB	N/A	DRG NO.	1800-055-100
FILE	1800-055-100RA	SHEET	1 OF 1
		SIZE	A3
		REV	A

喇叭安装规格图

Flansch/flange	D	K	nxd	b
DN80 PN1.6	Φ200	Φ160	8xΦ18	20
DN100 PN1.6	Φ220	Φ180	8xΦ18	20
DN125 PN1.6	Φ250	Φ210	8xΦ18	22

REV.	DESCRIPTION	DATE	DWN	APVD
A	1st edition release.	2023-08-17	Robin	Phoenix

0.8



香港昂立電子研究機構有限公司
HONG KONG ANLYSUN ELECTRONIC R&D CO., LTD.
www.anlysun.com

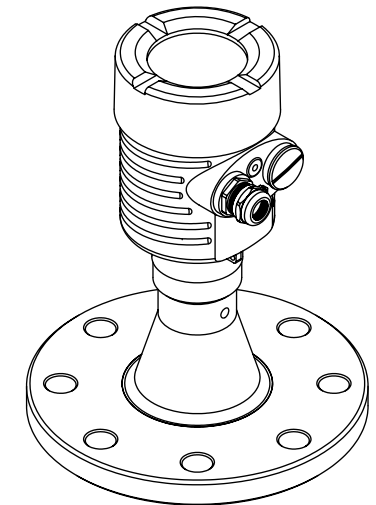
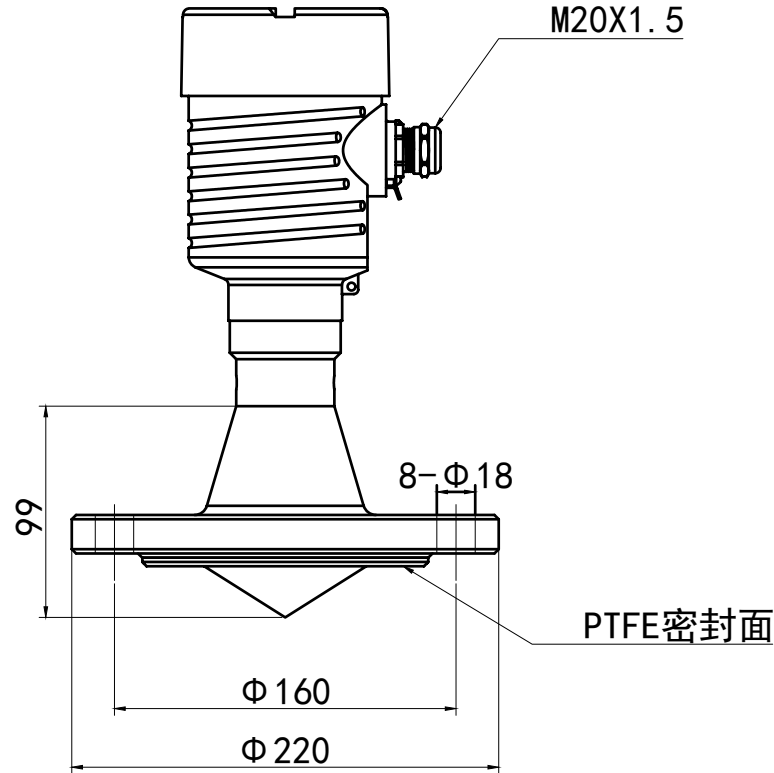
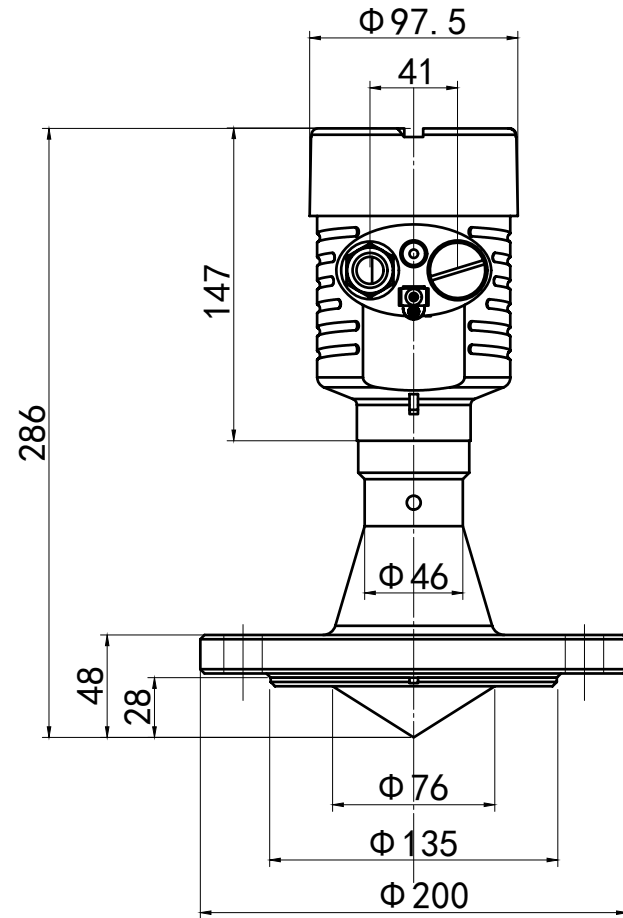
TEL: 86-591-83850480
FAX: 86-591-83850481
EMAIL: master@anlysun.com

THIS DRAWING AND THE COPYRIGHT IN IT ARE THE SOLE PROPERTY OF ANLYSUN ELECTRONIC R&D CO., LIMITED. THE DRAWING AND ITS CONTENTS ARE CONFIDENTIAL AND MAY NOT BE REPRODUCED, DISCLOSED OR USED WITHOUT THE PRIOR WRITTEN CONSENT OF ANLYSUN ELECTRONIC R&D CO., LIMITED. THIS DRAWING IS ALSO PROTECTED BY CHINA DIVISION OF ANLYSUN ELECTRONIC R&D CO., LIMITED.

TITLE AX-透镜雷达安装规格图		
PROJECT/PRODUCT ANL-8553	PART NAME TBD	MATERIAL SS304
REF SCH N/A	PART NO. 8553-090-300	QTY 1
REF PCB N/A	DRG NO. 8553-090-300	DIMENSIONS mm
FILE 8553-090-300RA	SHEET 1 OF 1	SCALE 1:1
	SIZE A3	REV A

REV	DESCRIPTION	DATE	DWN	APVD
A	1st edition release.	2022-02-14	Robin	Phoenix

1.6



香港昂立電子研究機構有限公司
HONG KONG ANLYSUN ELECTRONIC R&D CO., LTD.
www.anlysun.com

TEL: 86-591-83850480
FAX: 86-591-83850481
EMAIL: master@anlysun.com

THIS DRAWING AND THE COPYRIGHT IN IT ARE THE SOLE PROPERTY OF ANLYSUN ELECTRONIC R&D CO., LIMITED. THE DRAWING AND ITS CONTENTS ARE CONFIDENTIAL AND MAY NOT BE REPRODUCED, DISCLOSED OR USED WITHOUT THE PRIOR WRITTEN CONSENT OF ANLYSUN ELECTRONIC R&D CO., LIMITED. THIS DRAWING IS ALSO PROTECTED BY CHINA DIVISION OF ANLYSUN ELECTRONIC R&D CO., LIMITED.

TITLE		
尖锥型天线安装规格图		
PROJECT/PRODUCT	PART NAME	MATERIAL
ANL-6628	TBD	SS304
REF SCH	PART NO.	QTY
N/A	7621-051-000	1
REF PCB	DRG NO.	DIMENSIONS
N/A	7621-051-000	mm
FILE	SHEET	SCALE
7621-051-000RA	1 OF 1	1:1
	SIZE	REV
	A3	A

CHINASIMBA®

ELECTRONIC OEM SUPPLIER, SUBSIDIARY OF ANLYSUN

TEL: (86)591-83850480/1
FAX: (86)591-83850481
EMAIL: overseas@chinasimba.com
www.chinasimba.com