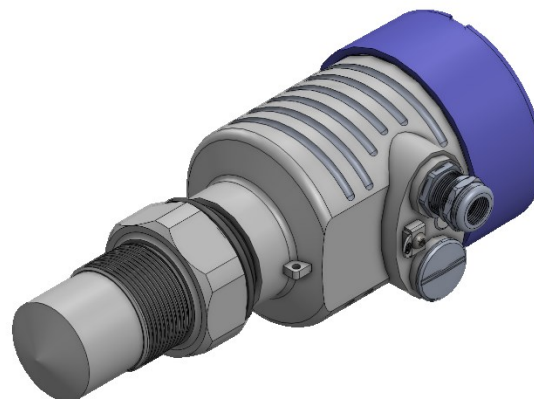


AiW-8260_{H/S}

RADAR LIQUID LEVEL TRANSMITTER

Feature

- High reliability non-contact smart level transmitter
- Easy to install with best accuracy of $\pm 3\text{mm}$
- strong penetrating ability and strong reliability
- High accuracy, high reliability, high cost performance
- 4-20mA current output or/and with HART/MODBUS Communication
- Graphical display and with Temperature sensor display
- False echo storage function to select only true echo for accurate level measureme



Application

- It's applicable to our Customers by offering reliable, cost effective and customized solutions on liquid level measurement.
- Applicable to precision requirements liquid level measurement, and need fast start or/meanwhile low power consumption level measurement.
- It's suitable for special process such as raw liquid, sewage, and suit for applicable to River, Lakes, Drains, Sewer, etc.

Product Specification

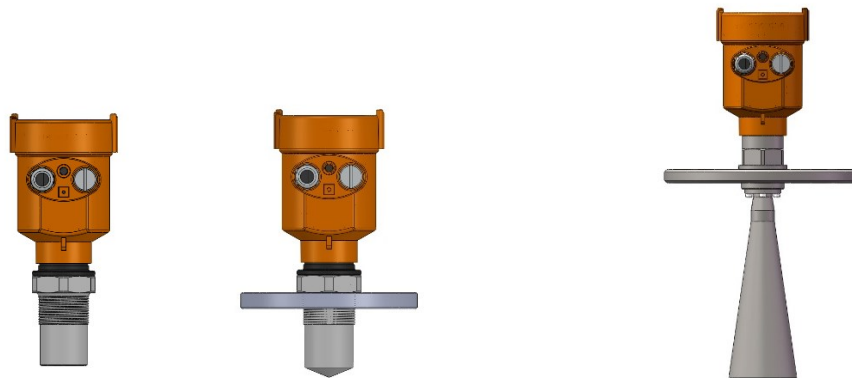
Frequency	26GHz Pulse level radar
Range	6m/8m/10m
Display Resolution	0.5mm
Precision	$\pm 3\text{mm}$
Beam angle	18°
Antenna Type	Horn (corrosive or not)
Signal Output	- 4-20mA - or 4-20mA/HART7 - or RS485
Communication	4-20mA/HART/MODBUS
Failure Output	22mA and 20.5mA (optional)
Ambient Temp/ Humidity	-40..85°C $\leq 95\%RH$
Pressure	-0.1 ... 0.8 MPa (Antenna Material PTFE)
Power Supply	16~40VDC (Ripple allowed: <100Hz, $U_{ss}>1V$; 100Hz@100KHz, $U_{ss}<10mV$)
Adjustment	Setup software/key configuration/mobile APP configuration/tank side table configuration Graphical 160*80 LCD display
Chamber	Signal/Double Aluminum Alloy or SS306(optional)
Connected Method	G1½ "A -NPT
IP Rating	IP67
Approvals	Exia + Exd or No-approvals

Note:

Chinasimba Co. continuing commitment to improve and upgrade its products and services, and thus, this cover information that will constantly change, without prior notice; nor can it be regarded as the commitments made by Chinasimba. In addition, the user manual has included the safety usage warnings. Hence, if there is any misuse and resulting in any incidents, Chinasimba will not accept any responsibility due to this.

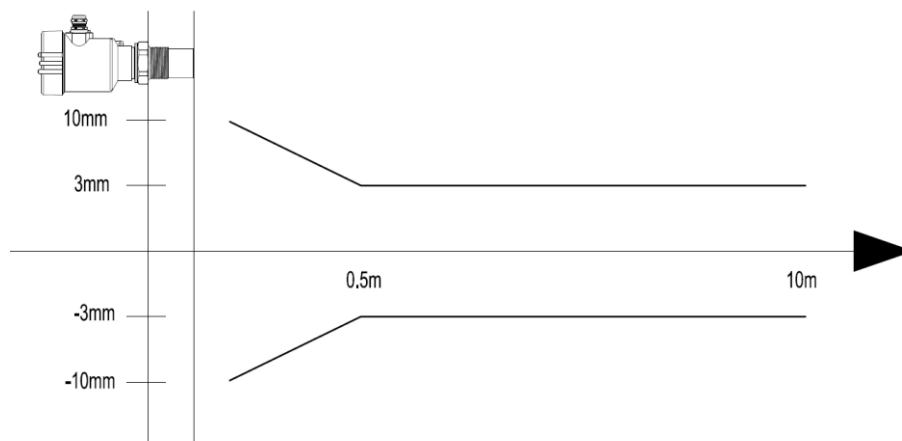
Chinasimba hereby guarantees its product does not exit from defects in materials and workmanship, and fully consistent with the statements in the above disclaimer of warranty.

Product Overview

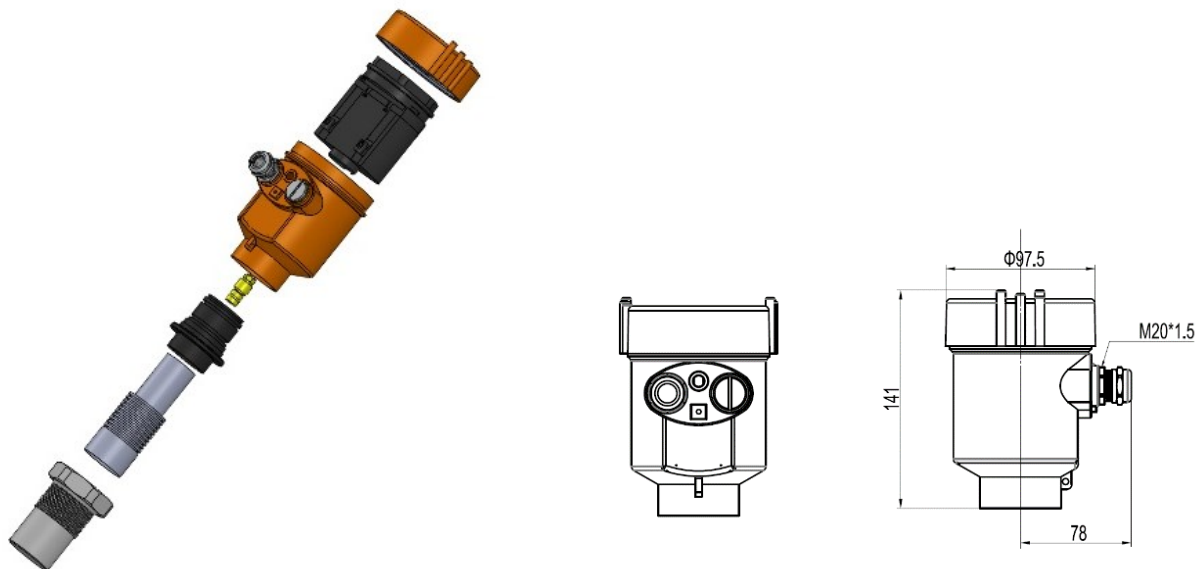


Model	AiW-8260H0	AiW-8260H1	AiW-8260S0	AiW-8260S1
Application	Liquid Level measurement, preferably for corrosive media acidic application with moderate fumes, precision requirements	Liquid Level measurement, preferably for corrosive media acidic application with moderate fuming and foaming conditions	Liquid Level measurement, palm oil, fatty acids, mild corrosive liquids acidic oil and water separator under high temperature or pressure limits	
Max. Range	6M	10M	8M	12M
Accuracy	≤±3mm	≤±3mm	≤±3mm	≤±3mm
Process Connection	G1-½	G1-½	G1-½	G1-½
Min. Flange Size	DN50	DN50	DN50	DN80
Antenna Material	PTFE	PTFE	SS304 / φ 46mm horn	SS304 / φ 76mm horn
Process Temperature	-40 ~ 85°C	-40 ~ 85°C	-40 ~ 85°C	-40 ~ 85°C
Process Pressure	-0.1 ~ 0.8 MPa	-0.1 ~ 0.8 MPa	-1.0 ~ 1.2 MPa	-1.0 ~ 1.2 MPa
Operating Frequency	25.55~26GHz	25.55~26GHz	25.55~26GHz	25.55~26GHz
Output	4-20mA 2wire	4-20mA 2wire	4-20mA 2wire	4-20mA 2wire
Option function	HART/Modbus	HART/Modbus	HART/Modbus	HART/Modbus
Blind Zone	300mm	350mm	300mm	350mm

AiW™ Product Precision vs Distance Map



AiW™ Product assembly structure explosion diagram



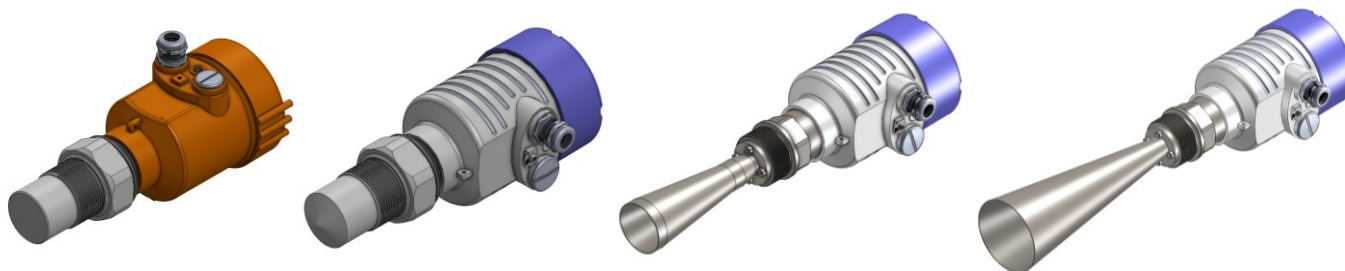
Ordering Code

AiW-8260H0/H1	1	2	3	4	5	NOTE
	O					ORANGE CHAMBER
	B					BLUE CHAMBER
		I				4-20MA
		H				4-20MA WITH HART
		R				RS485 WITH MODBUS
			N			NO NEED LCD DISPLAY MODULE
			D			WITH LCD DISPLAY MODULE
				N		NO BLUETOOTH
				B		WITH BLUETOOTH
					X	RESERVED
					X	RESERVED

Sample : **AiW-8260H1 -O-I-D-B-X** RANGE 10M, 4-20MA, LCD DISPLY, WITH BLUETOOTH

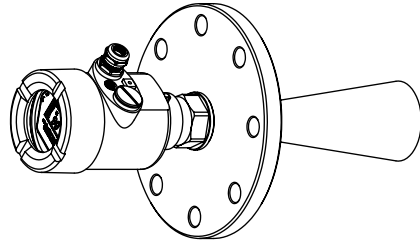
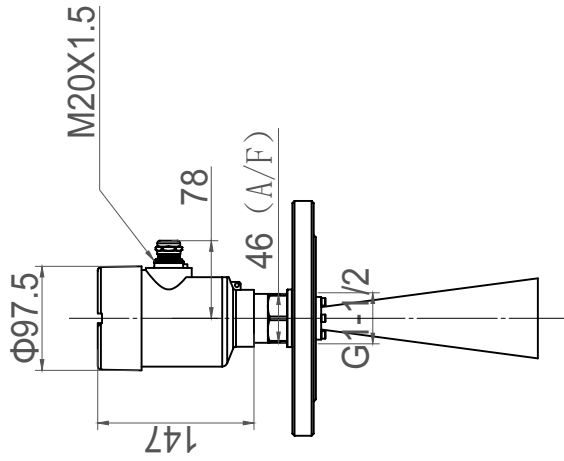
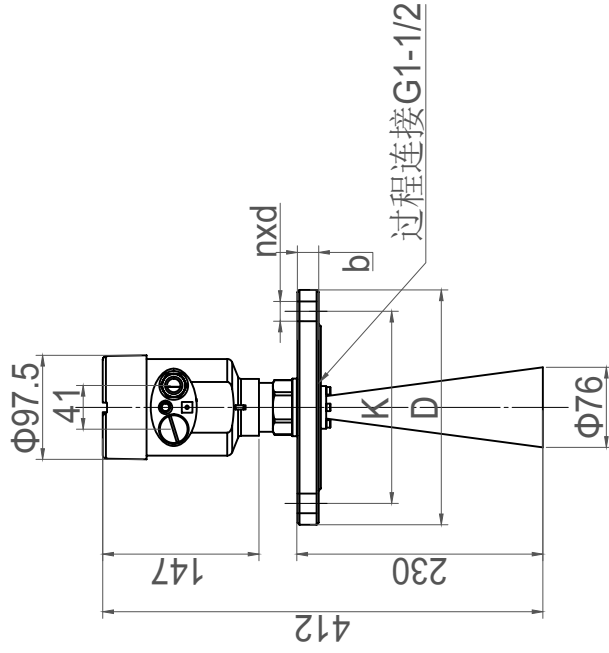
AiW-8260S0/S1	1	2	3	4	5	NOTE
	O					ORANGE CHAMBER
	B					BLUE CHAMBER
		I				4-20MA
		H				4-20MA WITH HART
		R				RS485 WITH MODBUS
			N			NO NEED LCD DISPLAY MODULE
			D			WITH LCD DISPLAY MODULE
				N		NO BLUETOOTH
				B		WITH BLUETOOTH
					X	RESERVED
					X	RESERVED

Sample : **AiW-8260S1 -O-I-D-B-X** RANGE 12M, 4-20MA, LCD DISPLY, WITH BLUETOOTH



Mechanical Dimension Drawing:

REV	DESCRIPTION	DATE	DWN	APVD
A	1st edition release.	2019-07-02	Robin	Phoenix



香港品立電子研究機構有限公司
 HONG KONG ANLYSUN ELECTRONIC R&D CO., L.TD.
 TEL: 86-591-83850480
 FAX: 86-591-83850481
 EMAIL: anlysun@anlysun.com
 www.anlysun.com

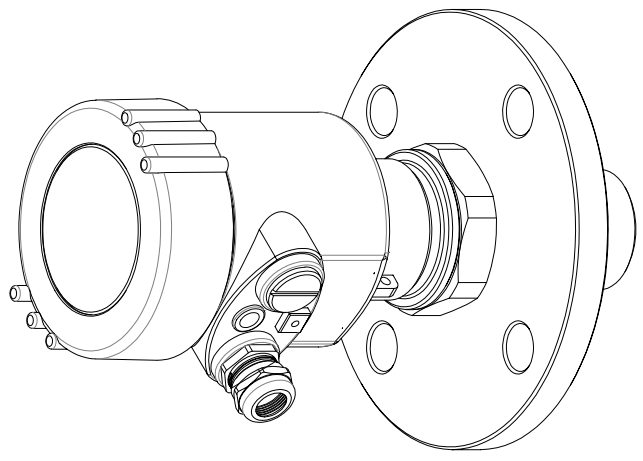
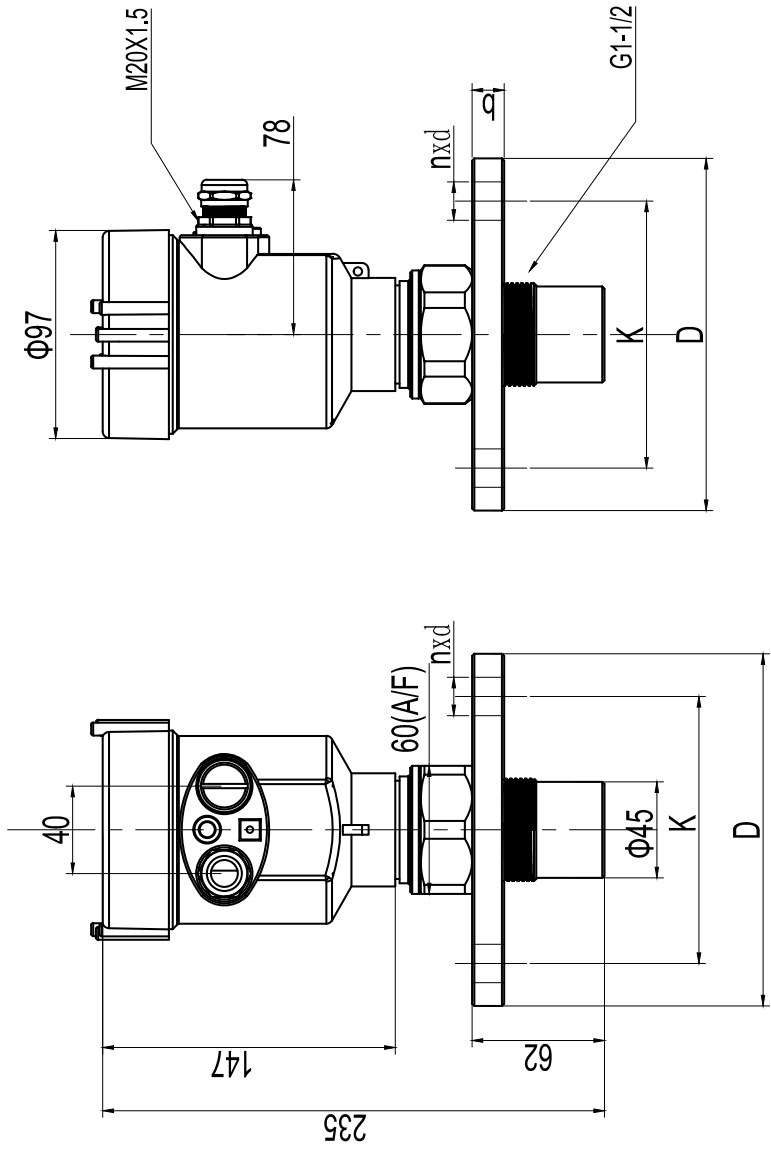
THIS DRAWING AND THE COPYRIGHT HEREIN ARE THE SOLE PROPERTY OF ANLYSUN ELECTRONIC R&D CO., LIMITED. THE DRAWING AND ITS CONTENTS ARE CONFIDENTIAL AND MAY NOT BE REPRODUCED, DISCLOSED OR USED WITHOUT THE PRIOR WRITTEN CONSENT OF ANLYSUN ELECTRONIC R&D CO., LIMITED. THIS DRAWING IS ALSO PROTECTED BY CHINA PATENT LAW OF ANLYSUN ELECTRONIC R&D CO., LIMITED.

PROJECT / PRODUCT		TITLE	
ANL-1800		PART NAME	TBD
REF SCH	N/A	PART NO.	1800-055-100
REF PCB	N/A	DRG NO.	1800-055-100
FILE	1800-055-100RA	SHEET	1 OF 1
		SIZE	A3
		REV	A
		MATERIAL	SS304
		QTY	1
		DIMENSIONS	mm
		SCALE	1:1

喇叭安装规格图

Flansch/flange	D	K	nxd	b
DN80 PN1.6	Φ200	Φ160	8xΦ18	20
DN100 PN1.6	Φ220	Φ180	8xΦ18	20
DN125 PN1.6	Φ250	Φ210	8xΦ18	22

REV.	DESCRIPTION	DATE	DWN	APVD
A	1st edition release.	2019-07-12	Robin	Phoenix



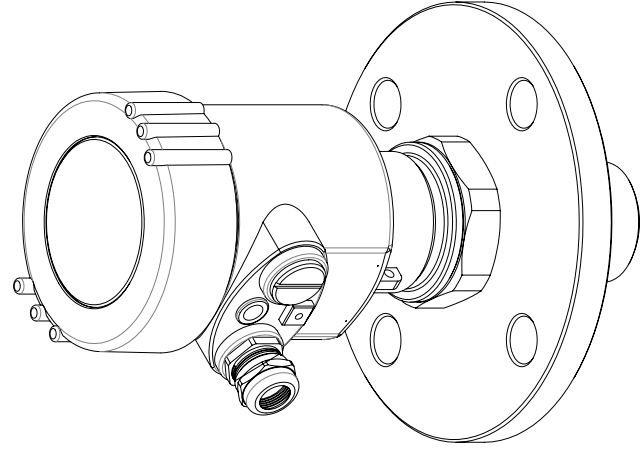
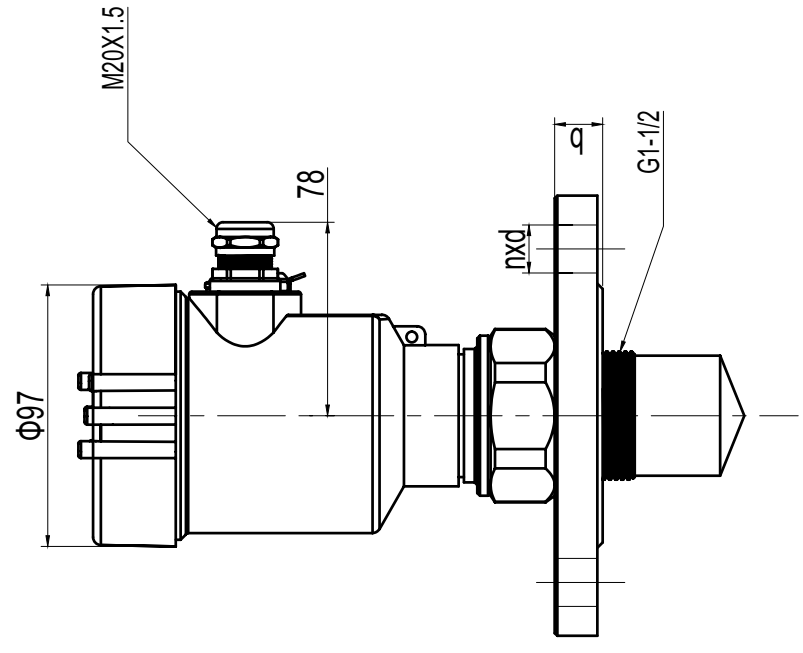
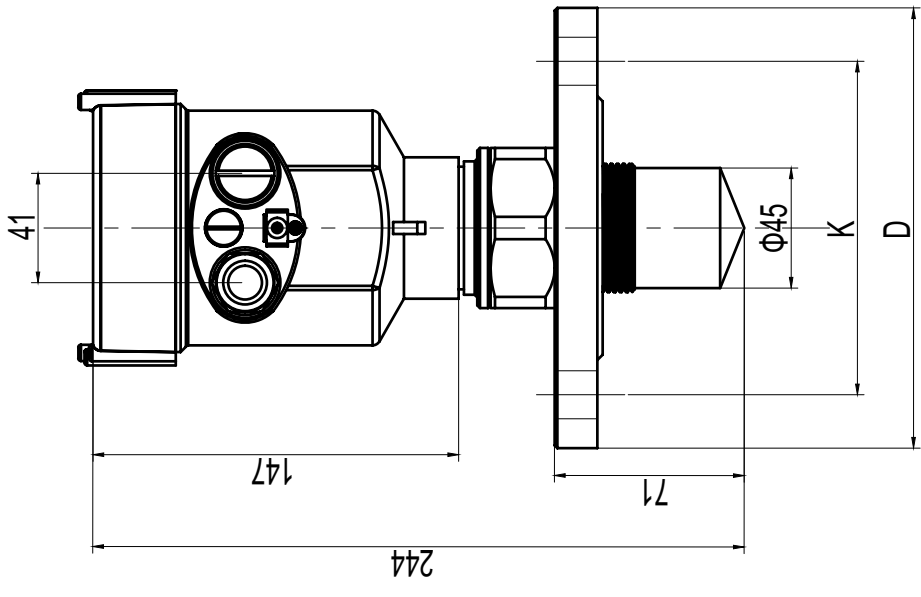

香港昂立電子研究機構有限公司
HONG KONG ANLYSUN ELECTRONIC R&D CO. LTD.
 TEL: 86-591-83850480
 FAX: 86-591-83850481
 EMAIL: anast@anlysun.com
 www.anlysun.com

TITLE
Q0 安装规格图

PROJECT/PRODUCT	ANL-5253	
REF SCH	N/A	
REF PCB	N/A	
FILE	5253-045-000RA	
PART NAME	总图	MATERIAL
PART NO.	5253-045-000	QTY
DRG NO.	5253-045-000	DIMENSIONS
		mm
		SCALE
		1:1
SHEET	SIZE	REV
1 OF 1	A3	A

Flansch/flange	D	K	nxd	b
DN50 PN1.6	Φ165	Φ125	4xΦ18	20
DN80 PN1.6	Φ200	Φ160	8xΦ18	20
DN100 PN1.6	Φ220	Φ180	8xΦ18	22

REV.	DESCRIPTION	DATE	DWN	APVD
A	1st edition release.	2019-07-12	Robin	Phoenix



香港昂立電子研究機構有限公司
HONG KONG ANLYSUN ELECTRONIC R&D CO. LTD.
www.anlysun.com

TEL: 86-591-83850480
FAX: 86-591-83850481
EMAIL: anstr@anlysun.com

THIS DRAWING AND THE COPYRIGHT IN IT ARE THE SOLE PROPERTY OF ANLYSUN ELECTRONIC R&D CO., LIMITED. WE PROHIBIT ANY REPRODUCTION, DISSEMINATION, COPIES, AND MODIFICATIONS WITHOUT THE WRITTEN CONSENT OF ANLYSUN ELECTRONIC R&D CO., LIMITED. THIS DRAWING IS ALSO PROTECTED BY CHINA INTELLECTUAL PROPERTY RIGHTS.

PROJECT/PRODUCT		PART NAME		MATERIAL	
ANL-5253		总图			
REF SCH	N/A	PART NO.	5253-045-100	QTY	1
REF PCB	N/A	DRG NO.	5253-045-100	DIMENSIONS	mm
FILE	5253-045-100RA	SHEET	1 OF 1	SCALE	1:1
		SIZE	A3	REV	A

H1 安装规格图

Flansch/flange	D	K	nxd	b
DN50 PN1.6	Φ165	Φ125	4xΦ18	20
DN80 PN1.6	Φ200	Φ160	8xΦ18	20
DN100 PN1.6	Φ220	Φ180	8xΦ18	22

CHINASIMBA®

ELECTRONIC OEM SUPPLIER, SUBSIDIARY OF ANLYSUN

TEL: (86)591-83850480/1
FAX: (86)591-83850481
EMAIL: overseas@chinasimba.com
www.chinasimba.com