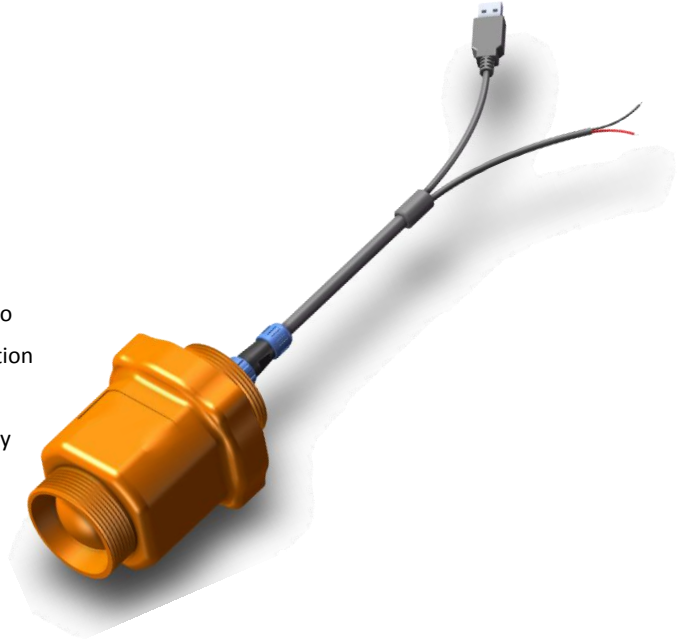


## AiW-3648<sub>MB</sub> *from smart level monitoring to supply chain management* 80 GHz, a cloud connected radar level/hydrological sensor

### Benefits

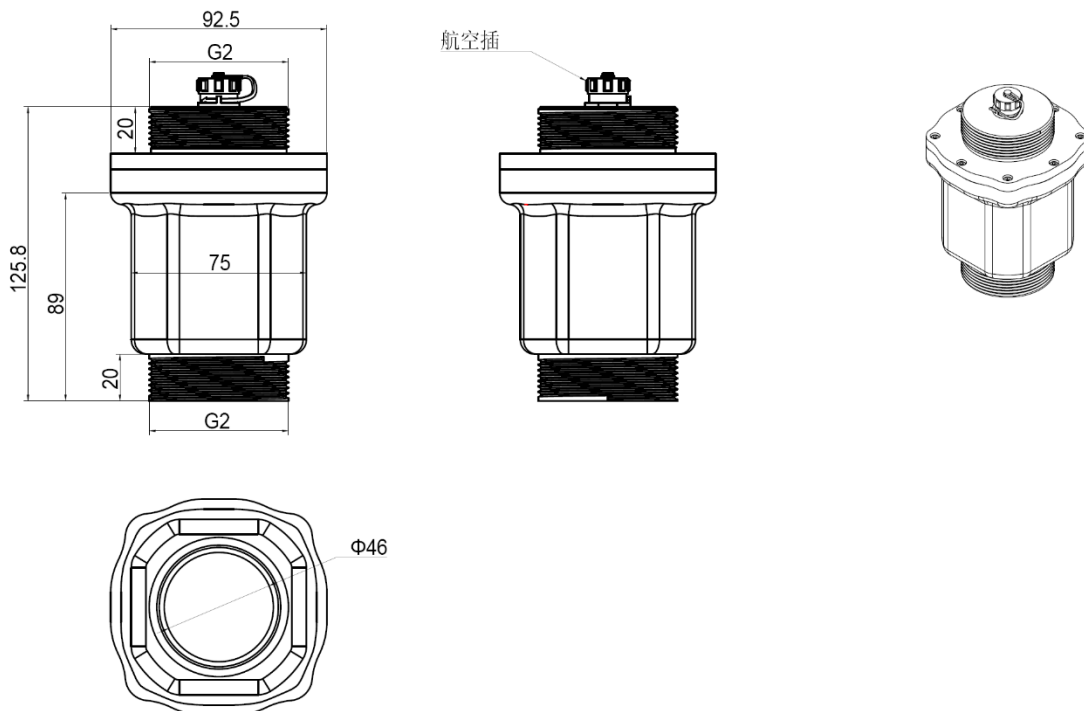
- Full transparency in storage and transportation of liquids and solids
- Simplified solution from procurement to operations
- Secure data transmission combined with a flexible, digital service portfolio
- Economical IIoT solutions transfer level information to the cloud Information access from everywhere at any time
- Easy installation thanks to long-life battery supply and wireless technology
- Exact measuring results, independent of medium as well as process and ambient conditions



### Applications

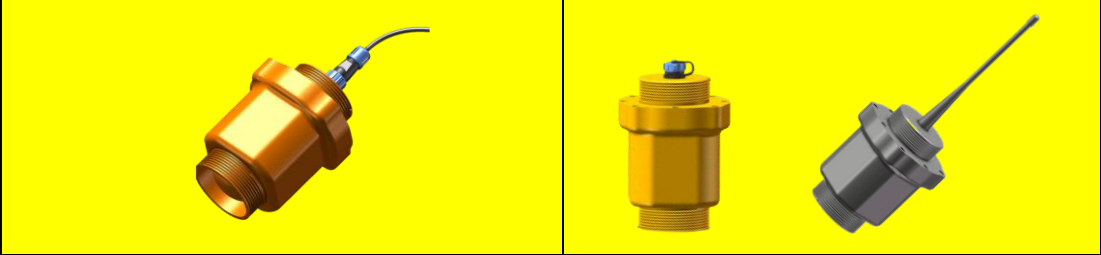
- Continuous simplicity from scratch. Our IIoT radar is a smart level transmitter with high-end technology in a cost-effective sensor.
- Together with the digital services Aliyun supET / Netilion etc., the wireless and battery powered level sensor, ensures reliable and remote level monitoring.
- The secure and certified solution provides access to information on asset and inventory status from everywhere at any time.
- Applications in all industries, mobile and stationary storage tanks

### Dimensions:



## Specifications

### AiW-3648/3648MB

Product No	AiW-3648-R	AiW-3648-A	AiW-3648MB
Installation method	Threaded / Mounting bracket wall/ceiling		
Appearance Picture			
Parameter	<p>Measuring Frequency: 77 to 80GHz Dynamic FM Sweep Bandwidth 3GHz                      (The adjustment FM range can be customized according to the ISM requirements of the customer's region)</p> <p>Instrument Range: 18m</p> <p>Dead Band: &lt;60mm</p> <p>Meas. Principle: FMCW Radar System</p> <p>Meas. Resolution: 0.5mm</p> <p>Meas. Accuracy: ±2mm</p> <p>Temperature Coefficient: ±5ppm/°C</p> <p>Antenna Sensor Material: PVDF {The antenna is integrated with the housing}</p> <p>Beam Angle(α): &lt;6.5°/ Gain 23dB</p> <p>Output: RS-485 / 4-20mA / RS-485 /or Mobile connectivity with NB-IoT, LTE-M or 4G/5G</p> <p>Power Supply: 12-30 V DC / Battery powered: 5.0V Rechargeable lithium battery                      The amount of time a charge can last to run: 20Days~5years (Depends on the intermittent measuring cycle)                      * For more information, see Manu Measurement cycle Items</p> <p>Process Connection: G2 { Upper threaded G2 or Bracket mounted }</p> <p>Process Temperature: -40 ... +85 °C</p> <p>Ambient Temperature: -40 ... +85 °C</p> <p>Operating Pressure: -300 to +300 KPa</p> <p>Display/Adjustment: Software system: PCManager, MobileManager</p> <p>Bluetooth Standard: Bluetooth 4.0</p> <p>Bluetooth Range: 25m</p> <p>Output &amp; Protocol: ModBus / 4-20mA / ModBus</p> <p>Fault mA Output: ** / 22mA/4mA/20.5mA (option) / **</p> <p>Live Display: Mobile / iPad / PC</p> <p>Housing Material: PVDF {The antenna is integrated with the housing}</p> <p>No.of Cable Entries: 1 PVC Insulated cable (Aviation connectors)</p> <p>Explosion-proof grade: *** / Exia / ***</p> <p>Ingress Protection / CE: IP68 / CE</p> <p>Package Dimensions: 267mm x 97mm x 97mm</p> <p>Benefits / Application: Liquid/Solid application, Information access from everywhere at any time.                      The cloud connected radar level sensor from smart level monitoring to supply chain management</p>		

SERVICE CONTACT: 86-13799977915, 86-18965063391(TECHNICAL SUPPORT), 86-18106067295(AFTER SALE SERVICE)  
 ALTHOUGH WE HAVE RECONCILED THE CONTENTS OF THE MANUAL WITH DESCRIPTION OF INSTRUMENT, THERE MAY STILL BE CHANGES WE CANNOT ENSURE THAT IT IS FULLY CONSISTENT. THE CONTENT WILL BE CHECKED AND CORRECTED IN AN ORDERLY, AND THE ERRATA WILL BE IN SUBSEQUENT RELEASES. WE WELCOME USERS TO MAKE VARIOUS SUGGESTIONS FOR IMPROVEMENT. [TECHNICAL DATA SUBJECT TO CHANGE]

MKT-24W01-0716